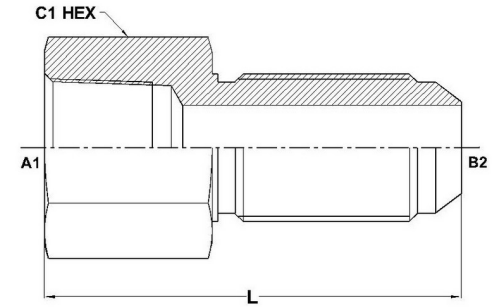
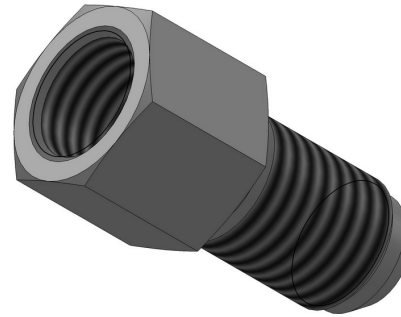




**HYDROMATIK**  
connections par excellence

## Tube Fittings & Adapters

### FP-MJ Bulkhead Straight 2705 Series |



PART NO. SIZE	TUBE O.D.	A1 NPTF	B2 SAE 37	B2 DRILL	L LGTH	C1 HEX
2705-02-04	1/4	1/8-27	7/16-20	0.172	1.89	0.688
2705-02-05	5/16	1/8-27	1/2-20	0.234	1.89	0.750
2705-04-04	1/4	1/4-18	7/16-20	0.172	2.09	0.750
2705-04-06	3/8	1/4-18	9/16-18	0.297	2.17	0.812
2705-06-06	3/8	3/8-18	9/16-18	0.297	2.23	0.875
2705-06-08	1/2	3/8-18	3/4-16	0.391	2.39	1.000
2705-08-06	3/8	1/2-14	9/16-18	0.297	2.46	1.125
2705-08-08	1/2	1/2-14	3/4-16	0.391	2.62	1.125
2705-08-10	5/8	1/2-14	7/8-14	0.484	2.76	1.125
2705-12-12	3/4	3/4-14	1-1/16-12	0.609	2.99	1.375
2705-12-14	7/8	3/4-14	1-3/16-12	0.719	2.99	1.500
2705-16-16	1	1-11-1/2	1-5/16-12	0.844	3.24	1.625
2705-20-20	1-1/4	1-1/4-11-1/2	1-5/8-12	1.078	3.38	2.000
2705-24-24	1-1/2	1-1/2-11-1/2	1-7/8-12	1.312	3.40	2.375

