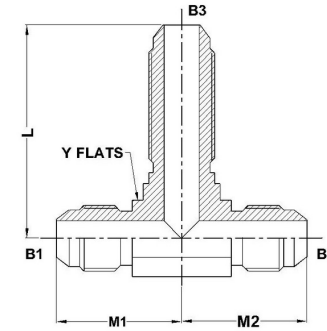
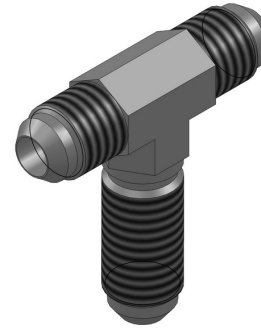




**HYDROMATIK**  
connections par excellence

## Tube Fittings & Adapters

**MJ-MJ-MJ Bulkhead Branch Tee** 2703 Series | SAE# 070959 / MS# 51515



PART NO .SIZE	TUBE O.D.	B1 SAE 37	B2 SAE 37	B3 SAE 37	B1 DRILL	B2 DRILL	B3 DRILL	M1 LGTH	M2 LGTH	L LGTH	Y FLATS
2703-03-03-03-FG	3/16	3/8-24	3/8-24	3/8-24	0.125	0.125	0.125	0.94	0.94	1.50	0.438
2703-04-04-04-FG	1/4	7/16-20	7/16-20	7/16-20	0.172	0.172	0.172	0.97	0.97	1.59	0.438
2703-04-04-06-FG	1/4	7/16-20	7/16-20	9/16-18	0.172	0.172	0.297	1.08	1.08	1.81	0.562
2703-05-05-05-FG	5/16	1/2-20	1/2-20	1/2-20	0.234	0.234	0.234	1.06	1.06	1.72	0.562
2703-06-06-06-FG	3/8	9/16-18	9/16-18	9/16-18	0.297	0.297	0.297	1.09	1.09	1.81	0.562
2703-08-08-08-FG	1/2	3/4-16	3/4-16	3/4-16	0.391	0.391	0.391	1.36	1.36	2.11	0.750
2703-10-10-10-FG	5/8	7/8-14	7/8-14	7/8-14	0.484	0.484	0.484	1.56	1.56	2.39	0.875
2703-12-12-12-FG	3/4	1-1/16-12	1-1/16-12	1-1/16-12	0.609	0.609	0.609	1.78	1.78	2.67	1.062
2703-12-12-16-FG	3/4	1-1/16-12	1-1/16-12	1-5/16-12	0.609	0.609	0.844	1.89	1.89	2.80	1.312
2703-14-14-14-FG	7/8	1-3/16-12	1-3/16-12	1-3/16-12	0.719	0.719	0.719	1.92	1.92	2.80	1.312
2703-16-16-16-FG	1	1-5/16-12	1-5/16-12	1-5/16-12	0.844	0.844	0.844	1.94	1.94	2.80	1.312
2703-20-20-20-FG	1-1/4	1-5/8-12	1-5/8-12	1-5/8-12	1.078	1.078	1.078	2.17	2.17	3.12	1.625
2703-24-24-24-FG	1-1/2	1-7/8-12	1-7/8-12	1-7/8-12	1.312	1.312	1.312	2.34	2.34	3.42	1.875

