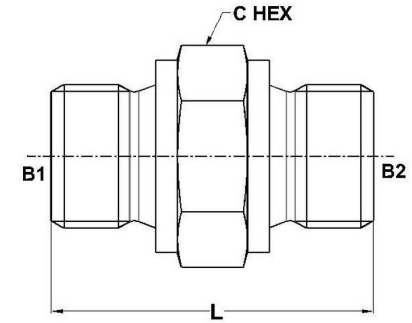
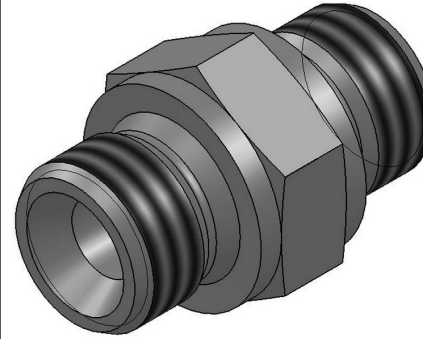




HYDROMATIK
connections par excellence

International Fittings

MBSPP-MBSPP Nipple 9022 Series |



PART NO.SIZE	B1 BSPP	B2 BSPP	B1 DRILL	B2 DRILL	L LGTH	C HEX
9022-02-02	1/8-28	1/8-28	3.5	3.5	21.0	14.0
9022-04-02	1/4-19	1/8-28	4.7	3.5	26.0	19.0
9022-04-04	1/4-19	1/4-19	4.7	4.7	29.0	19.0
9022-06-02	3/8-19	1/8-28	7.9	3.5	28.0	22.0
9022-06-04	3/8-19	1/4-19	7.9	4.7	31.0	22.0
9022-06-06	3/8-19	3/8-19	7.9	7.9	32.0	22.0
9022-08-02	1/2-14	1/8-28	11.1	3.5	32.0	27.0
9022-08-04	1/2-14	1/4-19	11.1	4.7	35.0	27.0
9022-08-06	1/2-14	3/8-19	11.1	7.9	36.0	27.0
9022-08-08	1/2-14	1/2-14	11.1	11.1	38.0	27.0
9022-10-04	5/8-14	1/4-19	14.3	4.7	39.0	30.0
9022-10-06	5/8-14	3/8-19	14.3	7.9	40.0	30.0
9022-10-08	5/8-14	1/2-14	14.3	11.1	42.0	30.0
9022-10-10	5/8-14	5/8-14	14.3	14.3	44.0	30.0
9022-12-06	3/4-14	3/8-19	16.7	7.9	40.0	32.0

9022-12-08	3/4-14	1/2-14	16.7	11.1	42.0	32.0
9022-12-10	3/4-14	5/8-14	16.7	14.3	44.0	32.0
9022-12-12	3/4-14	3/4-14	16.7	16.7	44.0	32.0
9022-16-08	1-11	1/2-14	22.2	11.1	48.0	41.0
9022-16-10	1-11	5/8-14	22.2	14.3	50.0	41.0
9022-16-12	1-11	3/4-14	22.2	16.7	50.0	41.0
9022-16-16	1-11	1-11	22.2	22.2	53.0	41.0
9022-20-12	1-1/4-11	3/4-14	28.6	16.7	55.0	50.0
9022-20-16	1-1/4-11	1-11	28.6	22.2	58.0	50.0
9022-20-20	1-1/4-11	1-1/4-11	28.6	28.6	59.0	50.0
9022-24-16	1-1/2-11	1-11	33.3	22.2	64.0	55.0
9022-24-20	1-1/2-11	1-1/4-11	33.3	28.6	65.0	55.0
9022-24-24	1-1/2-11	1-1/2-11	33.3	33.3	67.0	55.0
9022-32-16	2-11	1-11	46.0	22.2	73.0	70.0
9022-32-20	2-11	1-1/4-11	46.0	28.6	74.0	70.0
9022-32-24	2-11	1-1/2-11	46.0	33.3	76.0	70.0
9022-32-32	2-11	2-11	46.0	46.0	79.0	70.0