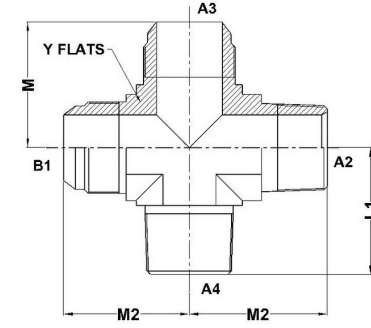
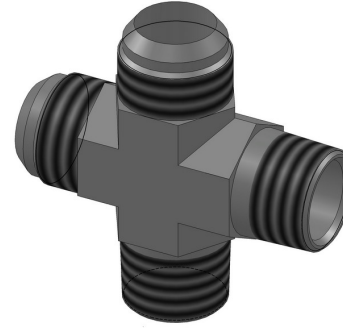




**HYDROMATIK**  
connections par excellence

## Tube Fittings & Adapters

**MJ-MP-MJ-MP Cross** 2654 Series |



| PART NO. SIZE       | TUBE O.D. | B1 SAE 37 | A2 NPTF | B3 SAE 37 | A4 NPTF | B1 DRILL | A2 DRILL | A4 DRILL | B3 DRILL | M1 LGTH | L1 LGTH | M1 LGTH | L2 LGTH | Y FLATS |
|---------------------|-----------|-----------|---------|-----------|---------|----------|----------|----------|----------|---------|---------|---------|---------|---------|
| 2654-08-06-08-06-FG | 1/2       | 3/4-16    | 3/8-18  | 3/4-16    | 3/8-18  | 0.391    | 0.406    | 0.391    | 0.406    | 1.25    | 1.22    | 1.25    | 1.22    | 0.750   |