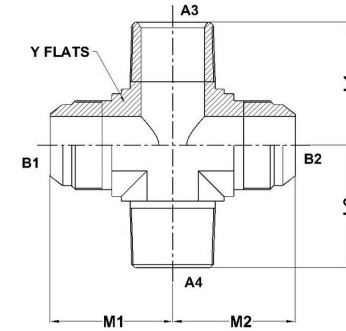
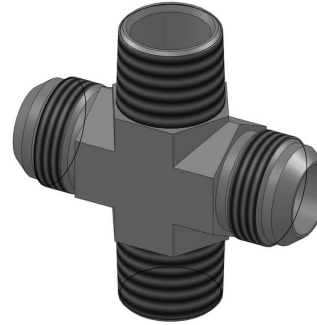




HYDROMATIK
connections par excellence

Tube Fittings & Adapters

MJ-MJ-MP-MP Cross 2653 Series |



PART NO.SIZE	TUBE O.D.	B1 SAE 37	B2 SAE 37	A3 NPTF	A4 NPTF	B1 DRILL	B2 DRILL	A3 DRILL	A4 DRILL	M1 LGTH	M2 LGTH	L1 LGTH	L2 LGTH	Y FLATS
2653-04-04-02-02-FG	1/4	7/16-20	7/16-20	1/8-27	1/8-27	0.172	0.172	0.188	0.188	0.89	0.89	0.78	0.78	0.438
2653-16-16-16-16-FG	1	1 5/16-12	1 5/16-12	1-11 1/2	1-11 1/2	0.844	0.844	0.938	0.938	1.81	1.81	1.97	1.97	1.312