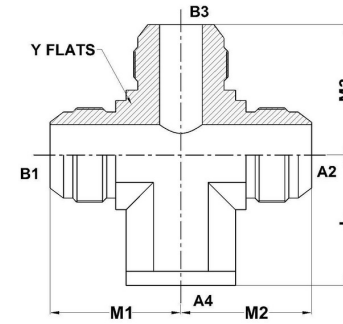
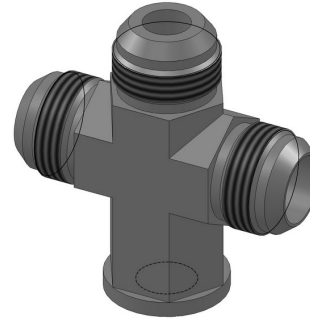




HYDROMATIK
connections par excellence

Tube Fittings & Adapters

MJ-MJ-MJ-FP Cross 2652 Series |



PART NO .SIZE	TUBE O.D.	B1 SAE 37	B2 SAE 37	B3 SAE 37	A4 NPTF	B1 DRILL	B2 DRILL	B3 DRILL	M1 LGTH	M2 LGTH	M3 LGTH	L LGTH	Y FLATS
2652-10-10-10-08-FG	5/8	7/8-14	7/8-14	7/8-14	1/2-14	0.484	0.484	0.484	1.64	1.64	1.64	1.23	1.062