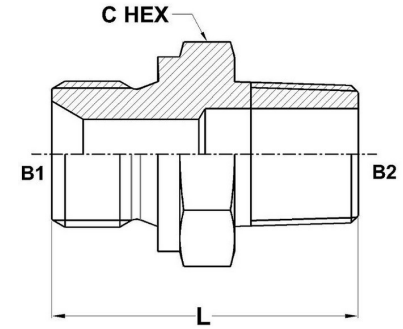
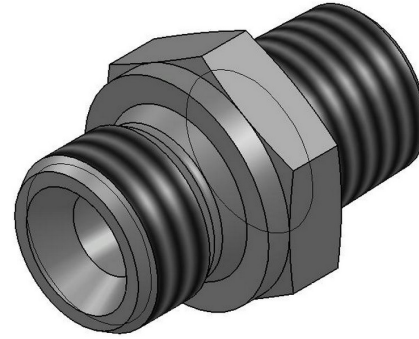




**HYDROMATIK**  
connections par excellence

## International Fittings

### MBSPP-MBSPT Straight 9020 Series |



PART NO.SIZE	B1 BSPP	B2 BSPT	B1 DRILL	B2 DRILL	L LGTH	C HEX
9020-04-02	1/4-19	1/8-28	4.7	4.8	28.2	19.0
9020-04-04	1/4-19	1/4-19	4.7	7.0	32.7	19.0
9020-04-06	1/4-19	3/8-19	4.7	10.3	32.7	19.0
9020-06-04	3/8-19	1/4-19	7.9	7.0	34.7	22.0
9020-06-06	3/8-19	3/8-19	7.9	10.3	34.7	22.0
9020-08-04	1/2-14	1/4-19	11.1	7.0	38.7	27.0
9020-08-08	1/2-14	1/2-14	11.1	13.5	43.5	27.0
9020-12-12	3/4-14	3/4-14	16.7	18.0	47.5	32.0
9020-16-16	1-11	1-11	22.2	23.8	58.4	41.0
9020-20-20	1-1/4-11	1-1/4-11	28.6	31.7	64.1	50.0
9020-24-24	1-1/2-11	1-1/2-11	33.3	38.0	70.9	55.0
9020-32-32	2-11	2-11	46.0	49.0	80.7	70.0