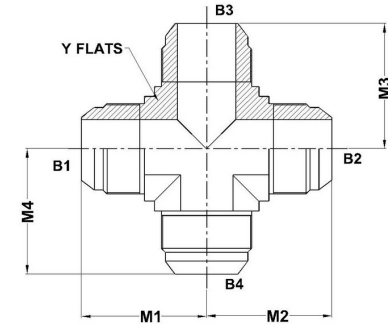
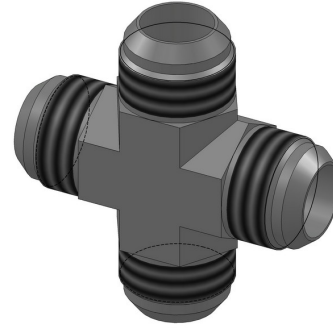




**HYDROMATIK**  
connections par excellence

## Tube Fittings & Adapters

**MJ-MJ-MJ-MJ Cross 2650 Series** | SAE# 070501 / MS# 51517



PART NO. SIZE	TUBE O.D.	B1 SAE 37	B2 SAE 37	B3 SAE 37	B4 SAE 37	B1 DRILL	B2 DRILL	B3 DRILL	B4 DRILL	M1 LGTH	M2 LGTH	M3 LGTH	M4 LGTH	Y FLATS
2650-02-02-02-02-FG	1/8	5/16-24	5/16-24	5/16-24	5/16-24	0.062	0.062	0.062	0.062	0.77	0.77	0.77	0.77	0.438
2650-04-04-04-04-FG	1/4	7/16-20	7/16-20	7/16-20	7/16-20	0.172	0.172	0.172	0.172	0.89	0.89	0.89	0.89	0.438
2650-05-05-05-05-FG	5/16	1/2-20	1/2-20	1/2-20	1/2-20	0.234	0.234	0.234	0.234	0.95	0.95	0.95	0.95	0.562
2650-06-06-06-06-FG	3/8	9/16-18	9/16-18	9/16-18	9/16-18	0.297	0.297	0.297	0.297	1.06	1.06	1.06	1.06	0.562
2650-06-08-06-08-FG	3/8	9/16-18	3/4-16	9/16-18	3/4-16	0.297	0.391	0.297	0.391	1.14	1.25	1.14	1.25	0.75
2650-08-08-08-08-FG	1/2	3/4-16	3/4-16	3/4-16	3/4-16	0.391	0.391	0.391	0.391	1.25	1.25	1.25	1.25	0.75
2650-10-10-10-10-FG	5/8	7/8-14	7/8-14	7/8-14	7/8-14	0.484	0.484	0.484	0.484	1.45	1.45	1.45	1.45	0.875
2650-12-12-12-12-FG	3/4	1-1/16-12	1-1/16-12	1-1/16-12	1-1/16-12	0.609	0.609	0.609	0.609	1.66	1.66	1.66	1.66	1.062
2650-14-14-14-14-FG	7/8	1-3/16-12	1-3/16-12	1-3/16-12	1-3/16-12	0.719	0.719	0.719	0.719	1.80	1.80	1.80	1.80	1.312
2650-16-16-16-16-FG	1	1-5/16-12	1-5/16-12	1-5/16-12	1-5/16-12	0.844	0.844	0.844	0.844	1.81	1.81	1.81	1.81	1.312
2650-20-20-20-20-FG	1-1/4	1-5/8-12	1-5/8-12	1-5/8-12	1-5/8-12	1.078	1.078	1.078	1.078	2.06	2.06	2.06	2.06	1.625
2650-24-24-24-24-FG	1-1/2	1-7/8-12	1-7/8-12	1-7/8-12	1-7/8-12	1.312	1.312	1.312	1.312	2.33	2.33	2.33	2.33	1.875
2650-32-32-32-32-FG	2	2-1/2-12	2-1/2-12	2-1/2-12	2-1/2-12	1.781	1.781	1.781	1.781	3.06	3.06	3.06	3.06	2.5