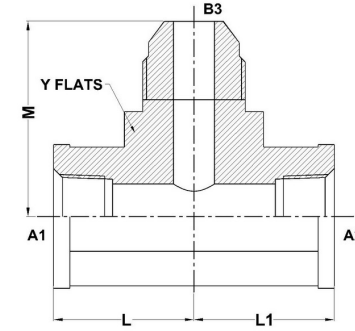




HYDROMATIK
connections par excellence

Tube Fittings & Adapters

FP-FP-MJ Tee 2612 Series |



PART NO. SIZE	TUBE O.D.	A1 NPTF	A2 NPTF	B3 SAE 37	B3 DRILL	L LGTH	L1 LGTH	M LGTH	Y FLATS
2612-02-02-04-FG	1/4	1/8-27	1/8-27	7/16-20	0.172	0.66	0.66	1.08	0.562
2612-04-04-06-FG	3/8	1/4-18	1/4-18	9/16-18	0.297	0.88	0.88	1.23	0.750
2612-06-06-08-FG	1/2	3/8-18	3/8-18	3/4-16	0.391	1.02	1.02	1.42	0.875
2612-08-08-08-FG	1/2	1/2-14	1/2-14	3/4-16	0.391	1.23	1.23	1.52	1.062
2612-08-08-10-FG	5/8	1/2-14	1/2-14	7/8-14	0.484	1.23	1.23	1.64	1.062
2612-12-12-12-FG	3/4	3/4-14	3/4-14	1-1/16-12	0.609	1.36	1.36	1.89	1.312
2612-16-16-16-FG	1	1-11-1/2	1-11-1/2	1-5/16-12	0.844	1.62	1.62	2.17	1.625