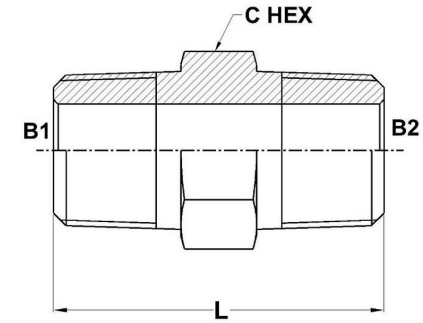
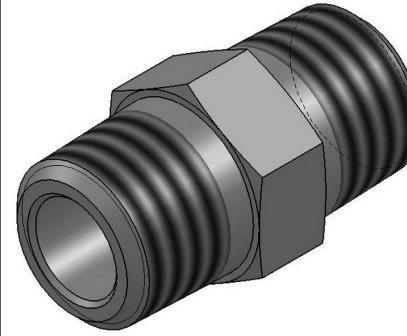




**HYDROMATIK**  
connections par excellence

## International Fittings

### MBSPT-MBSPT Nipple 9000 Series |



PART NO.SIZE	B1 BSPT	B2 BSPT	B1 DRILL	B2 DRILL	L LGTH	C HEX
9000-02-02	1/8-28	1/8-28	4.8	4.8	26.0	11.0
9000-04-02	1/4-19	1/8-28	7.0	4.8	31.3	14.0
9000-04-04	1/4-19	1/4-19	7.0	7.0	35.8	14.0
9000-06-02	3/8-19	1/8-28	10.3	4.8	31.3	19.0
9000-06-04	3/8-19	1/4-19	10.3	7.0	35.8	19.0
9000-06-06	3/8-19	3/8-19	10.3	10.3	35.8	19.0
9000-08-04	1/2-14	1/4-19	13.5	7.0	42.1	22.0
9000-08-06	1/2-14	3/8-19	13.5	10.3	42.1	22.0
9000-08-08	1/2-14	1/2-14	13.5	13.5	46.9	22.0
9000-10-10	5/8 - 14	5/8 - 14	15.0	15.0	53.7	26.0
9000-12-08	3/4-14	1/2-14	18.0	13.5	48.7	27.0
9000-12-12	3/4-14	3/4-14	18.0	18.0	48.7	27.0
9000-16-12	1-11	3/4-14	23.8	18.0	53.6	36.0
9000-16-16	1-11	1-11	23.8	23.8	58.5	36.0
9000-20-20	1-1/4-11	1-1/4-11	31.7	31.7	61.9	42.0

9000-24-24	1-1/2-11	1-1/2-11	38.0	38.0	65.3	50.0
9000-32-32	2-11	2-11	49.0	49.0	70.7	65.0