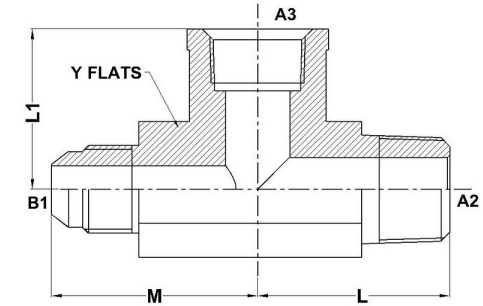
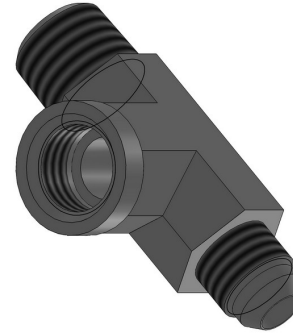




HYDROMATIK
connections par excellence

Tube Fittings & Adapters

MJ-MP-FP Tee 2611 Series |



PART NO.SIZE	TUBE O.D.	B1 SAE 37	A2 NPTF	A3 NPTF	B1 DRILL	A2 DRILL	M LGTH	L LGTH	L1 LGTH	Y FLATS
2611-04-02-02-FG	1/4	7/16-20	1/8-27	1/8-27	0.172	0.188	1.08	0.78	0.66	0.562
2611-04-04-02-FG	1/4	7/16-20	1/4-18	1/8-27	0.172	0.281	1.22	1.09	0.69	0.750
2611-04-04-04-FG	1/4	7/16-20	1/4-18	1/4-18	0.172	0.281	1.22	1.09	0.88	0.750
2611-04-08-06-FG	1/4	7/16-20	1/2-14	3/8-18	0.172	0.531	1.40	1.47	1.04	1.062
2611-06-04-04-FG	3/8	9/16-18	1/4-18	1/4-18	0.297	0.281	1.23	1.09	0.88	0.750
2611-06-06-06-FG	3/8	9/16-18	3/8-18	3/8-18	0.297	0.406	1.31	1.22	1.02	0.875
2611-08-06-06-FG	1/2	3/4-16	3/8-18	3/8-18	0.391	0.406	1.42	1.22	1.02	0.875
2611-08-08-08-FG	1/2	3/4-16	1/2-14	1/2-14	0.391	0.531	1.52	1.47	1.23	1.062
2611-10-08-08-FG	5/8	7/8-14	1/2-14	1/2-14	0.484	0.531	1.64	1.47	1.23	1.062
2611-12-12-12-FG	3/4	1-1/16-12	3/4-14	3/4-14	0.609	0.719	1.89	1.59	1.36	1.312
2611-16-16-16-FG	1	1-5/16-12	1-11-1/2	1-11-1/2	0.844	0.938	2.17	1.70	1.63	1.625
2611-20-20-20-FG	1-1/4	1-5/8-12	1-1/4-11-1/2	1-1/4-11-1/2	1.078	1.250	2.33	2.38	1.70	1.875