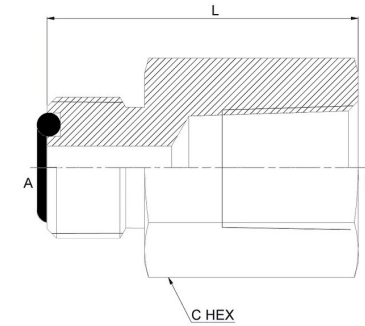
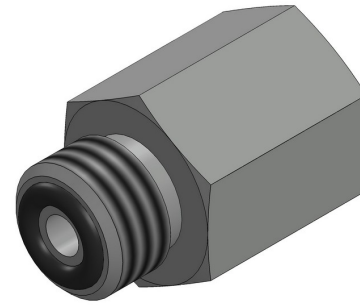




HYDROMATIK
connections par excellence

O-Ring Face Seal Fittings

FS-FP Straight FS2405 Series |



PART NO.SIZE	TUBE O.D.	A THREAD	B NPTF	A DRILL	L LGTH	C HEX
FS2405-04-04	1/4	9/16-18	1/4-18	0.172	1.23	0.750
FS2405-06-04	3/8	11/16-16	1/4-18	0.264	1.29	0.750