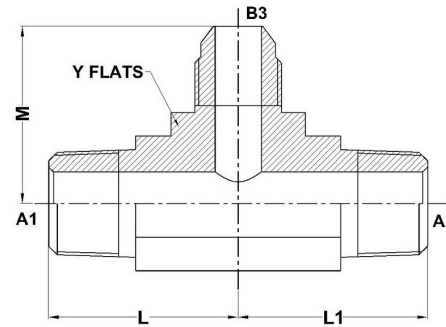
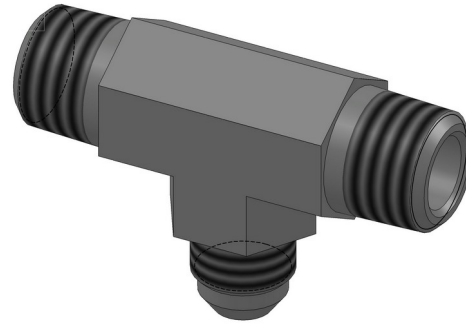




HYDROMATIK
connections par excellence

Tube Fittings & Adapters

MP-MP-MJ Tee 2610 Series |



PART:NO.SIZE	TUBE O.D.	A1 NPTF	A2 NPTF	B3 SAE37	A1 DRILL	A2 DRILL	B3 DRILL	L LGTH	L1 LGTH	M LGTH	Y FLATS
2610-04-04-04-FG	1/4	1/4-18	1/4-18	7/16-20	0.281	0.281	0.172	1.09	1.09	1.05	0.562
2610-04-04-06-FG	3/8	1/4-18	1/4-18	9/16-18	0.281	0.281	0.297	1.09	1.09	1.06	0.562
2610-06-06-06-FG	3/8	3/8-18	3/8-18	9/16-18	0.406	0.406	0.297	1.22	1.22	1.14	0.750
2610-06-06-08-FG	1/2	3/8-18	3/8-18	3/4-16	0.406	0.406	0.391	1.22	1.22	1.25	0.750
2610-8-08-08-FG	1/2	1/2-14	1/2-14	3/4-16	0.531	0.531	0.391	1.47	1.47	1.33	0.875
2610-08-08-10-FG	5/8	1/2-14	1/2-14	7/8-14	0.531	0.531	0.484	1.47	1.47	1.45	0.875
2610-12-12-12-FG	3/4	3/4-14	3/4-14	1-1/16-12	0.719	0.719	0.609	1.59	1.59	1.66	1.062
2610-12-12-16-FG	1	3/4-14	3/4-14	1-5/16-12	0.719	0.719	0.844	1.78	1.78	1.81	1.312
2610-16-16-16-FG	1	1-11-1/2	1-11-1/2	1-5/16-12	0.938	0.938	0.844	1.97	1.97	1.81	1.312

