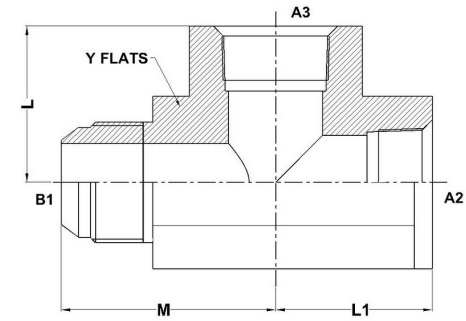
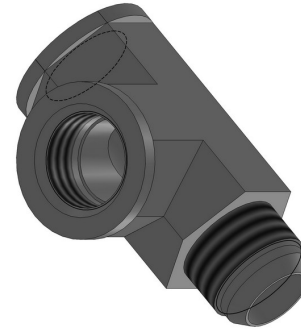




**HYDROMATIK**  
connections par excellence

## Tube Fittings & Adapters

**MJ-FP-FP Tee 2609 Series** |



PART NO.SIZE	TUBE O.D.	B1 SAE 37	A2 NPTF	A3 NPTF	B1 DRILL	M LGTH	L1 LGTH	L LGTH	Y FLATS
2609-04-02-02-FG	1/4	7/16-20	1/8-27	1/8-27	0.172	1.08	0.66	0.66	0.562
2609-04-04-04-FG	1/4	7/16-20	1/4-18	1/4-18	0.172	1.22	0.88	0.88	0.750
2609-05-04-04-FG	5/16	1/2-20	1/4-18	1/4-18	0.234	1.22	0.88	0.88	0.750
2609-06-04-04-FG	3/8	9/16-18	1/4-18	1/4-18	0.297	1.23	0.88	0.88	0.750
2609-08-06-06-FG	1/2	3/4-16	3/8-18	3/8-18	0.391	1.42	1.02	1.02	0.875
2609-08-08-08-FG	1/2	3/4-16	1/2-14	1/2-14	0.391	1.52	1.23	1.23	1.062
2609-10-08-08-FG	5/8	7/8-14	1/2-14	1/2-14	0.484	1.64	1.23	1.23	1.062
2609-12-12-12-FG	3/4	1-1/16-12	3/4-14	3/4-14	0.609	1.89	1.36	1.36	1.312
2609-16-16-16-FG	1	1-5/16-12	1-11-1/2	1-11-1/2	0.844	2.17	1.62	1.62	1.625
2609-20-20-20-FG	1-1/4	1-5/8-12	1-1/4-11-1/2	1-1/4-11-1/2	1.078	2.33	1.70	1.70	1.875