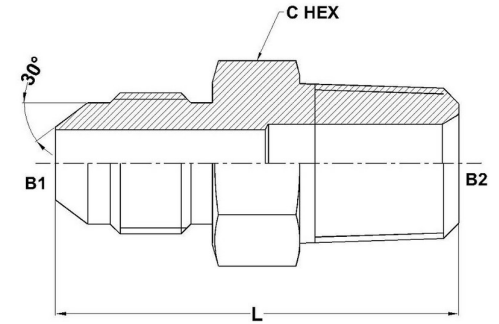
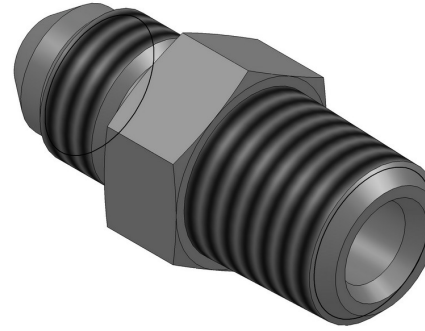




HYDROMATIK
connections par excellence

International Fittings

MJIS-MBSPT Union 8080 Series |



PART NO.SIZE	B1 JIS BSPP	B2 BSPT	B1 DRILL	B2 DRILL	L LGTH	C HEX
8080-04-04	1/4-19	1/4-19	5.0	7.0	38.7	17.0
8080-04-06	1/4-19	3/8-19	5.0	10.3	37.1	19.0
8080-06-04	3/8-19	1/4-19	8.0	7.0	40.7	19.0
8080-06-06	3/8-19	3/8-19	8.0	10.3	40.7	19.0
8080-08-06	1/2-14	3/8-19	11.0	10.3	44.7	22.0
8080-08-08	1/2-14	1/2-14	11.0	13.5	49.5	22.0
8080-12-12	3/4-14	3/4-14	16.0	18.0	53.5	30.0
8080-16-16	1-11	1-11	22.0	23.8	60.4	36.0