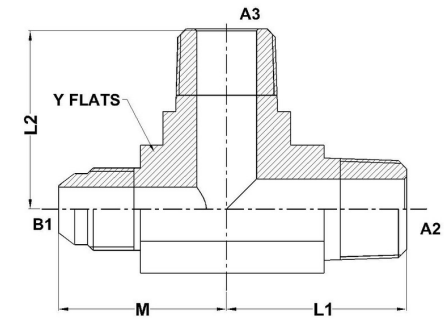
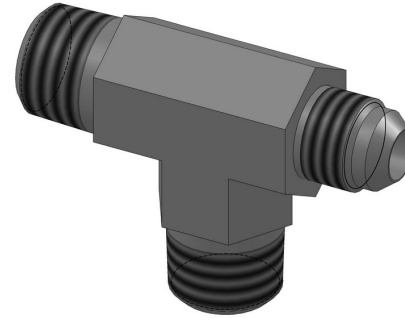




**HYDROMATIK**  
connections par excellence

## Tube Fittings & Adapters

### MJ-MP-MP Tee 2607 Series |



PART NO.SIZE	TUBE O.D.	B1 SAE 37	A2 NPTF	A3 NPTF	B1 DRILL	A2 DRILL	A3 DRILL	M LGTH	L1 LGTH	L2 LGTH	Y FLATS
2607-04-02-02-FG	1/4	7/16-20	1/8-27	1/8-27	0.172	0.188	0.188	0.89	0.72	0.72	0.438
2607-06-04-04-FG	3/8	9/16-18	1/4-18	1/4-18	0.297	0.281	0.281	1.06	1.09	1.09	0.562
2607-06-06-06-FG	3/8	9/16-18	3/8-18	3/8-18	0.297	0.406	0.406	1.14	1.22	1.22	0.750
2607-08-06-06-FG	1/2	3/4-16	3/8-18	3/8-18	0.391	0.406	0.406	1.25	1.22	1.22	0.750
2607-08-08-08-FG	1/2	3/4-16	1/2-14	1/2-14	0.391	0.531	0.531	1.33	1.47	1.47	0.875
2607-10-08-06-FG	5/8	7/8-14	1/2-14	3/8-18	0.484	0.531	0.406	1.45	1.47	1.28	0.875
2607-10-08-08-FG	5/8	7/8-14	1/2-14	1/2-14	0.484	0.531	0.531	1.45	1.47	1.47	0.875
2607-12-12-12-FG	3/4	1 1/16-12	3/4-14	3/4-14	0.609	0.719	0.719	1.66	1.59	1.59	1.062
2607-16-16-16-FG	1	1 5/16-12	1-11 1/2	1-11 1/2	0.844	0.938	0.938	1.81	1.97	1.97	1.312
2607-20-20-20-FG	1-1/4	1 5/8-12	1 1/4-11 1/2	1 1/4-11 1/2	1.078	1.250	1.250	2.06	2.38	2.38	1.625