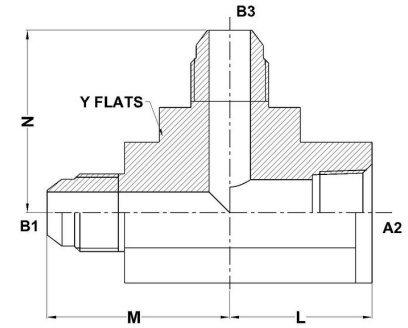
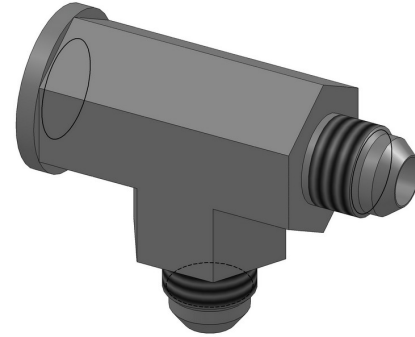




HYDROMATIK
connections par excellence

Tube Fittings & Adapters

MJ-FP-MJ Tee 2606 Series | SAE# 070426 /MS# 51514



PART NO.SIZE	TUBE O.D.	B1 SAE 37	A2 NPTF	B3 SAE 37	B1 DRILL	B3 DRILL	M LGTH	L LGTH	N LGTH	Y FLATS
2606-03-02-03-FG	3/16	3/8-24	1/8-27	3/8-24	0.125	0.125	1.03	0.66	1.03	0.562
2606-04-02-04-FG	1/4	7/16-20	1/8-27	7/16-20	0.172	0.172	1.08	0.66	1.08	0.562
2606-04-04-04-FG	1/4	7/16-20	1/4-18	7/16-20	0.172	0.172	1.22	0.88	1.22	0.750
2606-05-02-05-FG	5/16	1/2-20	1/8-27	1/2-20	0.234	0.234	1.08	0.66	1.08	0.562
2606-05-04-05-FG	5/16	1/2-20	1/4-18	1/2-20	0.234	0.234	1.22	0.88	1.22	0.750
2606-06-04-06-FG	3/8	9/16-18	1/4-18	9/16-18	0.297	0.297	1.23	0.88	1.23	0.750
2606-06-06-04-FG	3/8	9/16-18	3/8-18	7/16-20	0.297	0.172	1.31	1.02	1.29	0.875
2606-06-06-06-FG	3/8	9/16-18	3/8-18	9/16-18	0.297	0.297	1.31	1.02	1.31	0.875
2606-08-06-08-FG	1/2	3/4-16	3/8-18	3/4-16	0.391	0.391	1.42	1.02	1.42	0.875
2606-08-08-08-FG	1/2	3/4-16	1/2-14	3/4-16	0.391	0.391	1.52	1.23	1.52	1.062
2606-10-08-10-FG	5/8	7/8-14	1/2-14	7/8-14	0.484	0.484	1.64	1.23	1.64	1.062
2606-12-12-12-FG	3/4	1-1/16-12	3/4-14	1-1/16-12	0.609	0.609	1.89	1.36	1.89	1.312
2606-14-12-14-FG	7/8	1-3/16-12	3/4-14	1-3/16-12	0.719	0.719	1.86	1.42	1.86	1.312
2606-16-16-16-FG	1	1-5/16-12	1-11-1/2	1-5/16-12	0.844	0.844	2.17	1.62	2.17	1.625

2606-20-20-20-FG	1-1/4	1-5/8-12	1-1/4-11-1/2	1-5/8-12	1.078	1.078	2.23	1.70	2.33	1.875
2606-24-24-24-FG	1-1/2	1-7/8-12	1-1/2-11-1/2	1-7/8-12	1.312	1.312	2.89	2.08	2.89	2.562