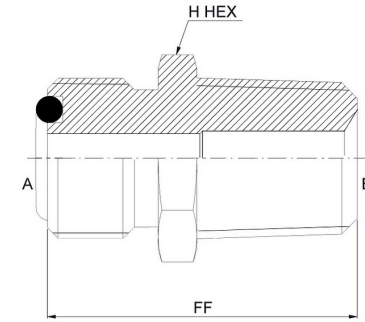




HYDROMATIK
connections par excellence

O-Ring Face Seal Fittings

MFS-MP Straight FS2404 Series |



PART NO.SIZE	TUBE O.D.	A THREAD	B THREAD	A DRILL	B DRILL	FF LGTH	H HEX
FS2404-04-02	1/4	9/16-18	1/8-27	0.172	0.188	1.08	0.625
FS2404-04-04	1/4	9/16-18	1/4-18	0.172	0.281	1.26	0.625
FS2404-04-06	1/4	9/16-18	3/8-18	0.172	0.406	1.26	0.750
FS2404-04-08	1/4	9/16-18	1/2-14	0.172	0.531	1.50	0.938
FS2404-06-02	3/8	11/16-16	1/8-27	0.264	0.188	1.16	0.750
FS2404-06-04	3/8	11/16-16	1/4-18	0.264	0.281	1.34	0.750
FS2404-06-06	3/8	11/16-16	3/8-18	0.264	0.406	1.34	0.750
FS2404-06-08	3/8	11/16-16	1/2-14	0.264	0.531	1.55	0.938
FS2404-08-04	1/2	13/16-16	1/4-18	0.378	0.281	1.45	0.875
FS2404-08-06	1/2	13/16-16	3/8-18	0.378	0.406	1.45	0.875
FS2404-08-08	1/2	13/16-16	1/2-14	0.378	0.531	1.64	0.938
FS2404-08-12	1/2	13/16-16	3/4-14	0.378	0.179	1.69	1.250
FS2404-08-16	1/2	13/16-16	1-11-1/2	0.378	0.938	1.80	1.375
FS2404-10-08	5/8	1-14	1/2-14	0.484	0.531	1.82	1.062
FS2404-10-12	5/8	1-14	3/4-14	0.484	0.719	1.82	1.250

FS2404-10-16	5/8	1-14	1-11-1/2	0.484	0.938	1.95	1.375
FS2404-12-08	3/4	1-3/16-12	1/2-14	0.609	0.531	1.94	1.250
FS2404-12-12	3/4	1-3/16-12	3/4-14	0.609	0.719	1.94	1.250
FS2404-12-16	3/4	1-3/16-12	1-11-1/2	0.609	0.938	2.06	1.312
FS2404-16-12	1	1-7/16-12	3/4-14	0.811	0.719	2.00	1.500
FS2404-16-16	1	1-7/16-12	1-11-1/2	0.811	0.938	2.19	1.500
FS2404-16-20	1	1-7/16-12	1-1/4-11-1/2	0.811	1.250	2.30	1.688
FS2404-16-24	1	1-7/16-12	1-1/2-11-1/2	0.811	1.500	2.40	2.000
FS2404-20-16	1-1/4	1-11/16-12	1-11-1/2	1.024	0.938	2.27	1.750
FS2404-20-20	1-1/4	1-11/16-12	1-1/4-11-1/2	1.024	1.250	2.30	1.750
FS2404-24-24	1-1/2	2-12	1-1/2-11-1/2	1.260	1.500	2.40	2.125