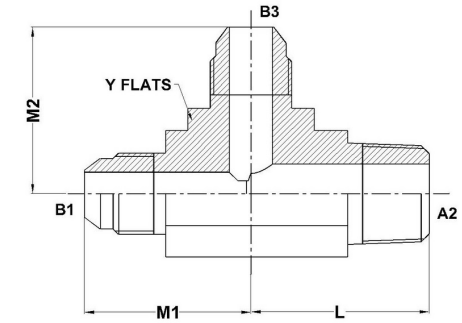
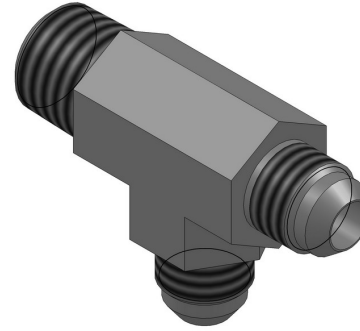




HYDROMATIK
connections par excellence

Tube Fittings & Adapters

MJ-MP-MJ Tee 2605 Series | SAE# 070424 / MS# 51511



PART NO.SIZE	TUBE O.D.	B1 SAE 37	A2 NPFT	B3 SAE 37	B1 DRILL	A2 DRILL	B3 DRILL	M1 LGTH	L LGTH	M2 LGTH	Y FLATS
2605-03-02-03-FG	3/16	3/8-24	1/8-27	3/8-24	0.125	0.188	0.125	0.83	0.72	0.83	0.438
2605-04-02-04-FG	1/4	7/16-20	1/8-27	7/16-20	0.172	0.188	0.172	0.89	0.78	0.89	0.438
2605-04-04-04-FG	1/4	7/16-20	1/4-18	7/16-20	0.172	0.281	0.172	1.05	1.09	1.05	0.562
2605-05-02-05-FG	5/16	1/2-20	1/8-27	1/2-20	0.234	0.188	0.234	0.95	0.78	0.95	0.562
2605-05-04-05-FG	5/16	1/2-20	1/4-18	1/2-20	0.234	0.281	0.234	1.05	1.09	1.05	0.562
2605-06-02-06-FG	3/8	9/16-18	1/8-27	9/16-18	0.297	0.188	0.297	1.06	0.90	1.06	0.562
2605-06-04-04-FG	3/8	9/16-18	1/4-18	7/16-20	0.297	0.281	0.172	1.06	1.09	1.05	0.562
2605-06-04-06-FG	3/8	9/16-18	1/4-18	9/16-18	0.297	0.281	0.297	1.06	1.09	1.06	0.562
2605-06-06-06-FG	3/8	9/16-18	3/8-18	9/16-18	0.297	0.406	0.297	1.14	1.22	1.14	0.750
2605-06-08-06-FG	3/8	9/16-18	1/2-14	9/16-18	0.297	0.531	0.297	1.22	1.47	1.22	0.875
2605-08-04-08-FG	1/2	3/4-16	1/4-18	3/4-16	0.391	0.281	0.391	1.25	1.22	1.25	0.750
2605-08-06-06-FG	1/2	3/4-16	3/8-18	9/16-18	0.391	0.406	0.297	1.25	1.22	1.14	0.750
2605-08-06-08-FG	1/2	3/4-16	3/8-18	3/4-16	0.391	0.406	0.391	1.25	1.22	1.25	0.750
2605-08-08-06-FG	1/2	3/4-16	1/2-14	9/16-18	0.391	0.531	0.297	1.25	1.47	1.22	0.875

2605-08-08-08-FG	1/2	3/4-16	1/2-14	3/4-16	0.391	0.531	0.391	1.33	1.47	1.33	0.875
2605-08-12-08-FG	1/2	3/4-16	3/4-14	3/4-16	0.391	0.719	0.391	1.42	1.59	1.42	1.062
2605-10-08-10-FG	5/8	7/8-14	1/2-14	7/8-14	0.484	0.531	0.484	1.45	1.47	1.45	0.875
2605-10-12-10-FG	5/8	7/8-14	3/4-14	7/8-14	0.484	0.719	0.484	1.54	1.59	1.54	1.062
2605-12-08-12-FG	3/4	1-1/16-12	1/2-14	1-1/16-12	0.609	0.531	0.609	1.66	1.59	1.66	1.062
2605-12-12-08-FG	3/4	1-1/16-12	3/4-14	3/4-16	0.609	0.719	0.391	1.66	1.59	1.42	1.062
2605-12-12-12-FG	3/4	1-1/16-12	3/4-14	1-1/16-12	0.609	0.719	0.609	1.66	1.59	1.66	1.062
2605-14-12-14-FG	7/8	1-3/16-12	3/4-14	1-3/16-12	0.719	0.719	0.719	1.80	1.69	1.80	1.312
2605-16-12-16-FG	1	1-5/16-12	3/4-14	1-5/16-12	0.844	0.719	0.844	1.81	1.78	1.81	1.312
2605-16-16-16-FG	1	1-5/16-12	1-11-1/2	1-5/16-12	0.844	0.938	0.844	1.81	1.97	1.81	1.312
2605-20-16-20-FG	1-1/4	1-5/8-12	1-11-1/2	1-5/8-12	1.078	0.938	1.078	2.06	2.35	2.06	1.625
2605-20-20-16-FG	1-1/4	1-5/8-12	1-1/4-11-1/2	1-5/16-12	1.078	1.250	0.844	2.06	2.38	2.01	1.625
2605-20-20-20-FG	1-1/4	1-5/8-12	1-1/4-11-1/2	1-5/8-12	1.078	1.250	1.078	2.06	2.38	2.06	1.625
2605-24-24-24-FG	1-1/2	1-7/8-12	1-1/2-11-1/2	1-7/8-12	1.312	1.500	1.312	2.33	2.64	2.33	1.875
2605-32-32-32-FG	2	2-1/2-12	2-11-1/2	2-1/2-12	1.781	1.938	1.781	3.06	3.00	3.06	2.500