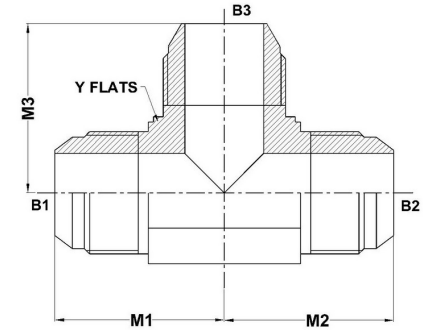
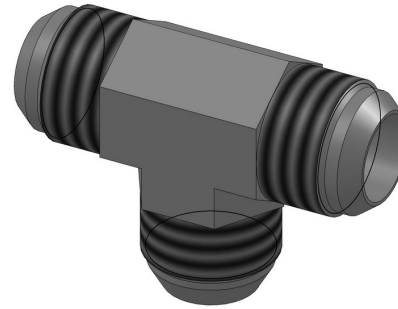




HYDROMATIK
connections par excellence

Tube Fittings & Adapters

MJ-MJ-MJ Tee 2603 Series | SAE# 070401 / MS# 51510



PART NO. SIZE	TUBE O.D.	B1 SAE 37	B2 SAE 37	B3 SAE 37	B1 DRILL	B2 DRILL	B3 DRILL	M1 LGTH	M2 LGTH	M3 LGTH	Y FLATS
2603-02-02-02-FG	1/8	5/16-24	5/16-24	5/16-24	0.062	0.062	0.062	0.77	0.77	0.77	0.438
2603-03-03-03-FG	3/16	3/8-24	3/8-24	3/8-24	0.125	0.125	0.125	0.83	0.83	0.83	0.438
2603-04-04-04-FG	1/4	7/16-20	7/16-20	7/16-20	0.172	0.172	0.172	0.89	0.89	0.89	0.438
2603-04-04-06-FG	1/4	7/16-20	7/16-20	9/16-18	0.172	0.172	0.297	1.05	1.05	1.06	0.562
2603-05-05-04-FG	5/16	1/2-20	1/2-20	7/16-20	0.234	0.234	0.172	0.95	0.95	0.95	0.562
2603-05-05-05-FG	5/16	1/2-20	1/2-20	1/2-20	0.234	0.234	0.234	0.95	0.95	0.95	0.562
2603-06-06-04-FG	3/8	9/16-18	9/16-18	7/16-20	0.297	0.297	0.172	1.06	1.06	1.05	0.562
2603-06-06-06-FG	3/8	9/16-18	9/16-18	9/16-18	0.297	0.297	0.297	1.06	1.06	1.06	0.562
2603-06-06-08-FG	3/8	9/16-18	9/16-18	3/4-16	0.297	0.297	0.391	1.14	1.14	1.25	0.750
2603-06-06-10-FG	3/8	9/16-18	9/16-18	7/8-14	0.297	0.297	0.484	1.22	1.22	1.45	0.875
2603-08-06-06-FG	1/2	3/4-16	9/16-18	9/16-18	0.391	0.297	0.297	1.25	1.14	1.14	0.750
2603-08-08-06-FG	1/2	3/4-16	3/4-16	9/16-18	0.391	0.391	0.297	1.25	1.25	1.14	0.750
2603-08-08-08-FG	1/2	3/4-16	3/4-16	3/4-16	0.391	0.391	0.391	1.25	1.25	1.25	0.750
2603-08-08-10-FG	1/2	3/4-16	3/4-16	7/8-14	0.391	0.391	0.484	1.33	1.33	1.45	0.875

2603-08-08-12-FG	1/2	3/4-16	3/4-16	1-1/16-12	0.391	0.391	0.609	1.42	1.42	1.66	1.062
2603-10-08-08-FG	5/8	7/8-14	3/4-16	3/4-16	0.484	0.391	0.391	1.45	1.33	1.33	0.875
2603-10-10-06-FG	5/8	7/8-14	7/8-14	9/16-18	0.484	0.484	0.297	1.45	1.45	1.22	0.875
2603-10-10-08-FG	5/8	7/8-14	7/8-14	3/4-16	0.484	0.484	0.391	1.45	1.45	1.33	0.875
2603-10-10-10-FG	5/8	7/8-14	7/8-14	7/8-14	0.484	0.484	0.484	1.45	1.45	1.45	0.875
2603-10-10-12-FG	5/8	7/8-14	7/8-14	1-1/16-12	0.484	0.484	0.609	1.54	1.54	1.66	1.062
2603-12-10-10-FG	3/4	1-1/16-12	7/8-14	7/8-14	0.609	0.484	0.484	1.66	1.54	1.54	1.062
2603-12-12-06-FG	3/4	1-1/16-12	1-1/16-12	9/16-18	0.609	0.609	0.297	1.66	1.66	1.31	1.062
2603-12-12-08-FG	3/4	1-1/16-12	1-1/16-12	3/4-16	0.609	0.609	0.391	1.66	1.66	1.42	1.062
2603-12-12-10-FG	3/4	1-1/16-12	1-1/16-12	7/8-14	0.609	0.609	0.484	1.66	1.66	1.54	1.062
2603-12-12-12-FG	3/4	1-1/16-12	1-1/16-12	1-1/16-12	0.609	0.609	0.609	1.66	1.66	1.66	1.062
2603-12-12-16-FG	3/4	1-1/16-12	1-1/16-12	1-5/16-12	0.609	0.609	0.844	1.76	1.76	1.81	1.312
2603-12-12-20-FG	3/4	1-1/16-12	1-1/16-12	1-5/8-12	0.609	0.609	1.078	1.97	1.97	2.06	1.625
2603-14-14-14-FG	7/8	1-3/16-12	1-3/16-12	1-3/16-12	0.719	0.719	0.719	1.80	1.80	1.80	1.312
2603-16-12-12-FG	1	1-5/16-12	1-1/16-12	1-1/16-12	0.844	0.609	0.609	1.81	1.76	1.76	1.312
2603-16-12-16-FG	1	1-5/16-12	1-1/16-12	1-5/16-12	0.844	0.609	0.844	1.81	1.76	1.81	1.312
2603-16-16-12-FG	1	1-5/16-12	1-5/16-12	1-1/16-12	0.844	0.844	0.609	1.81	1.81	1.76	1.312
2603-16-16-16-FG	1	1-5/16-12	1-5/16-12	1-5/16-12	0.844	0.844	0.844	1.81	1.81	1.81	1.312
2603-20-20-12-FG	1-1/4	1-5/8-12	1-5/8-12	1-1/16-12	1.078	1.078	0.609	2.06	2.06	1.97	1.625
2603-20-20-16-FG	1-1/4	1-5/8-12	1-5/8-12	1-5/16-12	1.078	1.078	0.844	2.06	2.06	2.01	1.625
2603-20-20-20-FG	1-1/4	1-5/8-12	1-5/8-12	1-5/8-12	1.078	1.078	1.078	2.06	2.06	2.06	1.625
2603-24-24-24-FG	1-1/2	1-7/8-12	1-7/8-12	1-7/8-12	1.312	1.312	1.312	2.33	2.33	2.33	1.875
2603-32-32-32-FG	2	2-1/2-12	2-1/2-12	2-1/2-12	1.781	1.781	1.781	3.06	3.06	3.06	2.500

