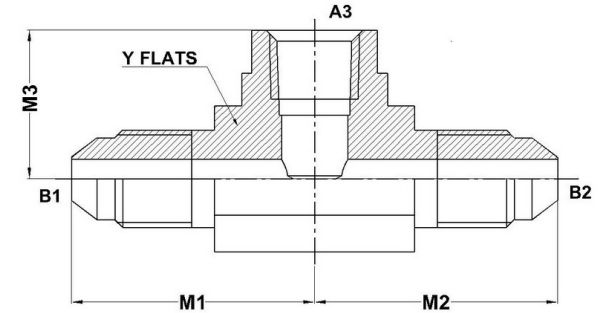
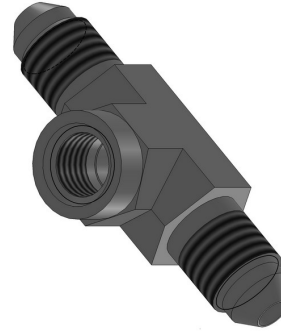




HYDROMATIK
connections par excellence

Tube Fittings & Adapters

MJ-MJ-FP Tee 2602 Series | SAE# 070427 / MS# 51513



PART NO.SIZE	TUBE O.D.	B1 SAE 37	B2 SAE 37	A3 NPFT	B1 DRILL	B2 DRILL	M1 LGTH	M2 LGTH	N LGTH	Y FLATS
2602-03-03-02-FG	3/16	3/8-24	3/8-24	1/8-27	0.125	0.125	1.03	1.03	0.66	0.562
2602-04-04-02-FG	1/4	7/16-20	7/16-20	1/8-27	0.172	0.172	1.08	1.08	0.66	0.562
2602-04-04-04-FG	1/4	7/16-20	7/16-20	1/4-18	0.172	0.172	1.22	1.22	0.88	0.750
2602-05-05-02-FG	5/16	1/2-20	1/2-20	1/8-27	0.234	0.234	1.08	1.08	0.66	0.562
2602-06-06-04-FG	3/8	9/16-18	9/16-18	1/4-18	0.297	0.297	1.23	1.23	0.88	0.750
2602-06-06-06-FG	3/8	9/16-18	9/16-18	3/8-18	0.297	0.297	1.31	1.31	1.02	0.875
2602-08-08-04-FG	1/2	3/4-16	3/4-16	1/4-18	0.391	0.391	1.42	1.42	1.02	0.875
2602-08-08-06-FG	1/2	3/4-16	3/4-16	3/8-18	0.391	0.391	1.42	1.42	1.02	0.875
2602-08-08-08-FG	1/2	3/4-16	3/4-16	1/2-14	0.391	0.391	1.52	1.52	1.23	1.062
2602-10-10-04-FG	5/8	7/8-14	7/8-14	1/4-18	0.484	0.484	1.64	1.64	1.04	1.062
2602-10-10-08-FG	5/8	7/8-14	7/8-14	1/2-14	0.484	0.484	1.64	1.64	1.23	1.062
2602-10-10-12-FG	5/8	7/8-14	7/8-14	3/4-14	0.484	0.484	1.77	1.77	1.36	1.312
2602-12-12-08-FG	3/4	1-1/16-12	1-1/16-12	1/2-14	0.609	0.609	1.89	1.89	1.36	1.312
2602-12-12-12-FG	3/4	1-1/16-12	1-1/16-12	3/4-14	0.609	0.609	1.89	1.89	1.36	1.312

2602-12-12-16-FG	3/4	1-1/16-12	1-1/16-12	1-11-1/2	0.609	0.609	2.12	2.12	1.62	1.625
2602-14-14-12-FG	7/8	1-3/16-12	1-3/16-12	3/4-14	0.719	0.719	1.86	1.86	1.42	1.312
2602-16-16-12-FG	1	1-5/16-12	1-5/16-12	3/4-14	0.844	0.844	2.17	2.17	1.43	1.625
2602-16-16-16-FG	1	1-5/16-12	1-5/16-12	1-11-1/2	0.844	0.844	2.17	2.17	1.62	1.625
2602-20-20-20-FG	1-1/4	1-5/8-12	1-5/8-12	1-1/4-11-1/2	1.078	1.078	2.33	2.33	1.70	1.875
2602-24-24-24-FG	1-1/2	1-7/8-12	1-7/8-12	1-1/2-11-1/2	1.312	1.312	2.89	2.89	2.08	2.562
2602-32-32-32-FG	2	2-1/2-12	2-1/2-12	2-11-1/2	1.781	1.781	3.30	3.30	2.39	2.812