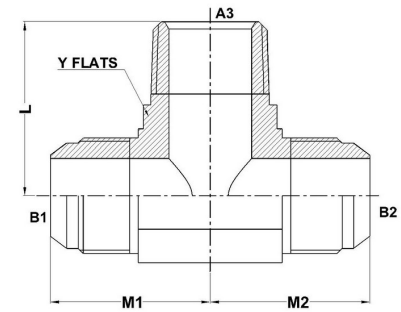
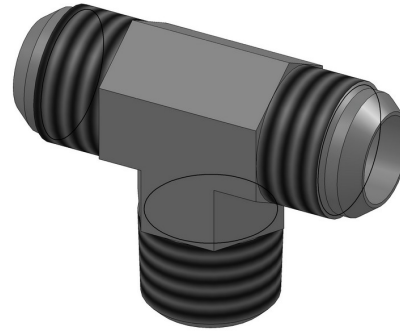




**HYDROMATIK**  
connections par excellence

## Tube Fittings & Adapters

**MJ-MJ-MP Tee** 2601 Series | SAE# 070425 / MS# 51512



PART NO. SIZE	TUBE O.D.	B1 SAE 37	B2 SAE 37	A3 NPTF	B1 DRILL	B2 DRILL	A3 DRILL	M1 LGTH	M2 LGTH	L LGTH	Y FLATS
2601-02-02-02-FG	1/8	5/16-24	5/16-24	1/8-27	0.062	0.062	0.188	0.77	0.77	0.72	0.438
2601-03-03-02-FG	3/16	3/8-24	3/8-24	1/8-27	0.125	0.125	0.188	0.83	0.83	0.72	0.438
2601-04-04-02-FG	1/4	7/16-20	7/16-20	1/8-27	0.172	0.172	0.188	0.89	0.89	0.78	0.438
2601-04-04-04-FG	1/4	7/16-20	7/16-20	1/4-18	0.172	0.172	0.281	1.05	1.05	1.09	0.562
2601-04-04-06-FG	1/4	7/16-20	7/16-20	3/8-18	0.172	0.172	0.406	1.12	1.12	1.22	0.750
2601-05-05-02-FG	5/16	1/2-20	1/2-20	1/8-27	0.234	0.234	0.188	0.95	0.95	0.78	0.562
2601-05-05-04-FG	5/16	1/2-20	1/2-20	1/4-18	0.234	0.234	0.281	1.05	1.05	1.09	0.562
2601-06-06-02-FG	3/8	9/16-18	9/16-18	1/8-27	0.297	0.297	0.188	1.06	1.06	0.90	0.562
2601-06-06-04-FG	3/8	9/16-18	9/16-18	1/4-18	0.297	0.297	0.281	1.06	1.06	1.09	0.562
2601-06-06-06-FG	3/8	9/16-18	9/16-18	3/8-18	0.297	0.297	0.406	1.14	1.14	1.22	0.750
2601-06-06-08-FG	3/8	9/16-18	9/16-18	1/2-14	0.297	0.297	0.531	1.22	1.22	1.47	0.875
2601-08-04-08-FG	1/2	3/4-16	7/16-20	1/2-14	0.391	0.172	0.531	1.33	1.21	1.47	0.875
2601-08-08-04-FG	1/2	3/4-16	3/4-16	1/4-18	0.391	0.391	0.281	1.25	1.25	1.22	0.750
2601-08-08-06-FG	1/2	3/4-16	3/4-16	3/8-18	0.391	0.391	0.406	1.25	1.25	1.22	0.750

2601-08-08-08-FG	1/2	3/4-16	3/4-16	1/2-14	0.391	0.391	0.531	1.33	1.33	1.47	0.875
2601-08-08-12-FG	1/2	3/4-16	3/4-16	3/4-14	0.391	0.391	0.719	1.42	1.42	1.59	1.062
2601-10-10-06-FG	5/8	7/8-14	7/8-14	3/8-18	0.484	0.484	0.406	1.45	1.45	1.28	0.875
2601-10-10-08-FG	5/8	7/8-14	7/8-14	1/2-14	0.484	0.484	0.531	1.45	1.45	1.47	0.875
2601-10-10-12-FG	5/8	7/8-14	7/8-14	3/4-14	0.484	0.484	0.719	1.54	1.54	1.59	1.062
2601-12-12-08-FG	3/4	1-1/16-12	1-1/16-12	1/2-14	0.609	0.609	0.531	1.66	1.66	1.59	1.062
2601-12-12-12-FG	3/4	1-1/16-12	1-1/16-12	3/4-14	0.609	0.609	0.719	1.66	1.66	1.59	1.062
2601-12-12-16-FG	3/4	1-1/16-12	1-1/16-12	1-11-1/2	0.609	0.609	0.938	1.76	1.76	1.97	1.312
2601-12-16-20-FG	3/4	1-1/16-12	1-5/16-12	1-1/4-11-1/2	0.609	0.844	1.250	1.97	2.01	2.38	1.625
2601-14-14-12-FG	7/8	1-3/16-12	1-3/16-12	3/4-14	0.719	0.719	0.719	1.80	1.80	1.69	1.312
2601-16-16-12-FG	1	1-5/16-12	1-5/16-12	3/4-14	0.844	0.844	0.719	1.81	1.81	1.78	1.312
2601-16-16-16-FG	1	1-5/16-12	1-5/16-12	1-11-1/2	0.844	0.844	0.938	1.81	1.81	1.97	1.312
2601-20-20-20-FG	1-1/4	1-5/8-12	1-5/8-12	1-1/4-11-1/2	1.078	1.078	1.250	2.06	2.06	2.38	1.625
2601-24-24-24-FG	1-1/2	1-7/8-12	1-7/8-12	1-1/2-11-1/2	1.312	1.312	1.500	2.33	2.33	2.64	1.875
2601-32-32-32-FG	2	2-1/2-12	2-1/2-12	2-11-1/2	1.781	1.781	1.938	3.06	3.06	3.00	2.500