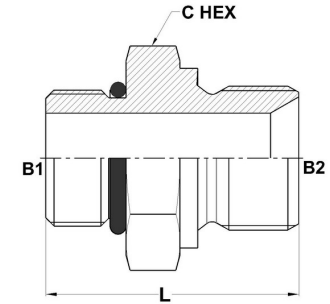
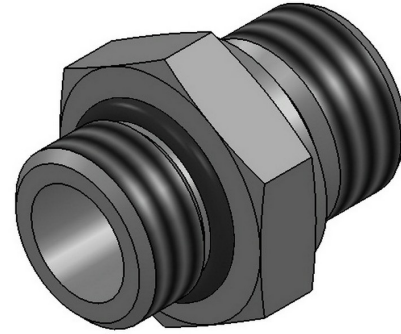




**HYDROMATIK**  
connections par excellence

## International Fittings

**MORB-MBSPP** 7062 Series |



PART NO.SIZE	B1 SAE ORB	B2 BSPP	B1 DRILL	B2 DRILL	L LGTH	C HEX
7062-03-04	3/8-24	1/4-19	3.2	4.7	25.5	19.0
7062-04-04	7/16-20	1/4-19	4.4	4.7	27.1	19.0
7062-04-06	7/16-20	3/8-19	4.4	7.9	29.1	22.0
7062-05-04	1/2-20	1/4-19	6.0	4.7	27.1	19.0
7062-06-04	9/16-18	1/4-19	7.5	4.7	28.0	19.0
7062-06-06	9/16-18	3/8-19	7.5	7.9	30.0	22.0
7062-06-08	9/16-18	1/2-14	7.5	11.1	34.0	27.0
7062-08-06	3/4-16	3/8-19	9.9	7.9	32.8	22.0
7062-08-08	3/4-16	1/2-14	9.9	11.1	35.1	27.0
7062-08-10	3/4-16	5/8-14	9.9	14.3	39.1	30.0
7062-08-12	3/4-16	3/4-14	9.9	16.7	39.1	32.0
7062-10-06	7/8-14	3/8-19	12.3	7.9	35.7	27.0
7062-10-08	7/8-14	1/2-14	12.3	11.1	37.7	27.0
7062-10-12	7/8-14	3/4-14	12.3	16.7	40.7	32.0

7062-12-08	1-1/16-12	1/2-14	15.5	11.1	42.1	32.0
7062-12-12	1-1/16-12	3/4-14	15.5	16.7	44.1	32.0
7062-12-16	1-1/16-12	1-11	15.5	22.2	49.1	41.0
7062-16-12	1-5/16-12	3/4-14	21.4	16.7	44.9	41.0
7062-16-16	1-5/16-12	1-11	21.4	22.2	47.9	41.0
7062-20-16	1-5/8-12	1-11	27.4	22.2	49.7	50.0
7062-20-20	1-5/8-12	1-1/4-11	27.4	28.6	50.7	50.0
7062-24-20	1-7/8-12	1-1/4-11	33.3	28.6	52.5	55.0
7062-24-24	1-7/8-12	1-1/2-11	33.3	33.3	54.5	55.0