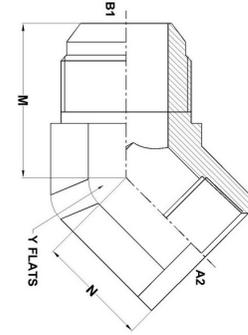
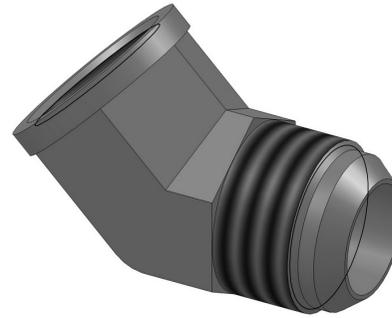




HYDROMATIK
connections par excellence

Tube Fittings & Adapters

MJ-FP 45° 2505 Series |



PART NO. SIZE	TUBE O.D.	B1 SAE 37	A2 NPTF	B1 DRILL	M LGTH	N LGTH	Y FLATS
2505-04-04-FG	1/4	7/16-20	1/4-18	0.172	0.85	0.62	0.750
2505-06-04-FG	3/8	9/16-18	1/4-18	0.297	0.87	0.62	0.750
2505-06-06-FG	3/8	9/16-18	3/8-18	0.297	0.88	0.72	0.875
2505-08-06-FG	1/2	3/4-16	3/8-18	0.391	0.99	0.72	0.875
2505-08-08-FG	1/2	3/4-16	1/2-14	0.391	1.04	0.91	1.062
2505-10-08-FG	5/8	7/8-14	1/2-14	0.484	1.16	0.91	1.062
2505-12-12-FG	3/4	1-1/16-12	3/4-14	0.609	1.42	0.97	1.312
2505-16-16-FG	1	1-5/16-12	1-11-1/2	0.844	1.54	1.12	1.625