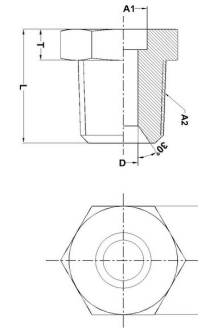
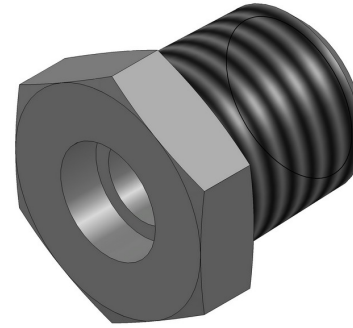




HYDROMATIK
connections par excellence

Tube Fittings & Adapters

Bore-MP Straight 0404 Series |



PART NO. SIZE	TUBE O.D.	A1 BORE	A2 NPTF	D DRILL	L LGTH	T WIDTH	C HEX
0404-04-02	1/4	0.256	1/8-27	0.188	0.562	0.19	0.500
0404-04-04	1/4	0.256	1/4-18	0.281	0.843	0.27	0.625
0404-06-04	3/8	0.381	1/4-18	0.281	0.812	0.25	0.625
0404-06-06	3/8	0.381	3/8-18	0.406	0.875	0.31	0.750
0404-08-06	1/2	0.506	3/8-18	0.406	0.843	0.28	0.812
0404-08-08	1/2	0.506	1/2-14	0.531	1.100	0.36	0.875
0404-10-06	5/8	0.631	3/8-18	0.406	0.843	0.28	0.812
0404-10-08	5/8	0.631	1/2-14	0.531	1.078	0.33	0.937
0404-12-08	3/4	0.757	1/2-14	0.531	1.080	0.36	0.937
0404-12-12	3/4	0.757	3/4-14	0.719	1.093	0.34	1.125
0404-16-12	1	1.007	3/4-16	0.719	1.260	0.50	1.250
0404-16-16	1	1.007	1-11 1/2	0.938	1.312	0.38	1.375
0404-20-16	1-1/4	1.258	1-11 1/2	0.938	1.376	0.44	1.688
0404-20-20	1-1/4	1.258	1-1/4-11 1/2	1.250	1.406	0.44	1.688

0404-24-16	1-1/2	1.508	1-11 1/2	0.938	1.375	0.50	1.750
0404-24-24	1-1/2	1.508	1-1/2-11 1/2	1.500	1.500	0.50	2.000
0404-32-32	2	2.008	2-11 1/2	1.938	1.781	0.75	2.625