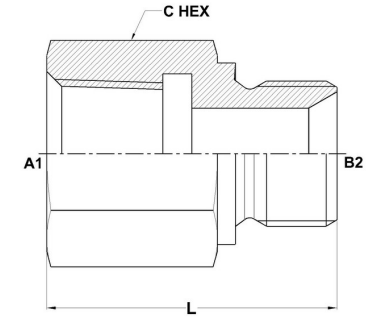
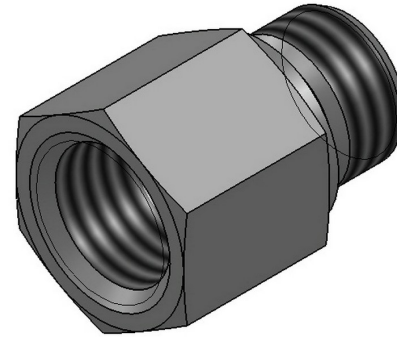




HYDROMATIK
connections par excellence

International Fittings

FP-MBSPP 7042 Series |



PART NO.SIZE	A1 NPTF	B2 BSPP	B2 DRILL	L LGTH	C HEX
7042-02-02	1/8-27	1/8-28	3.5	24.2	15.0
7042-02-04	1/8-27	1/4-19	4.7	18.0	19.0
7042-02-06	1/8-27	3/8-19	7.9	20.0	22.0
7042-02-08	1/8-27	1/2-14	11.1	24.0	27.0
7042-04-02	1/4-18	1/8-28	3.5	28.6	19.0
7042-04-04	1/4-18	1/4-19	4.7	31.6	19.0
7042-04-06	1/4-18	3/8-19	7.9	20.0	22.0
7042-04-08	1/4-18	1/2-14	11.1	24.0	27.0
7042-04-12	1/4-18	3/4-14	16.7	28.0	32.0
7042-06-04	3/8-18	1/4-19	4.7	32.9	22.0
7042-06-06	3/8-18	3/8-19	7.9	33.9	22.0
7042-06-08	3/8-18	1/2-14	11.1	24.0	27.0
7042-08-02	1/2-14	1/8-28	3.5	36.0	28.0
7042-08-04	1/2-14	1/4-19	4.7	39.0	28.0
7042-08-06	1/2-14	3/8-19	7.9	40.0	28.0

7042-08-08	1/2-14	1/2-14	11.1	42.0	28.0
7042-08-12	1/2-14	3/4-14	16.7	28.0	32.0
7042-12-08	3/4-14	1/2-14	11.1	43.5	35.0
7042-12-12	3/4-14	3/4-14	16.7	45.5	35.0
7042-16-16	1-11-1/2	1-11	22.2	54.8	41.0
7042-16-20	1-11-1/2	1-1/4-11	28.6	39.0	50.0
7042-20-16	1-1/4-11-1/2	1-11	22.2	57.1	50.0
7042-20-20	1-1/4-11-1/2	1-1/4-11	28.6	58.1	50.0
7042-20-24	1-1/4-11-1/2	1-1/2-11	33.3	45.0	55.0
7042-24-20	1-1/2-11-1/2	1-1/4-11	28.6	58.4	60.0
7042-24-24	1-1/2-11-1/2	1-1/2-11	33.3	60.4	60.0
7042-32-32	2-11-1/2	2-11	46.0	65.9	73.0