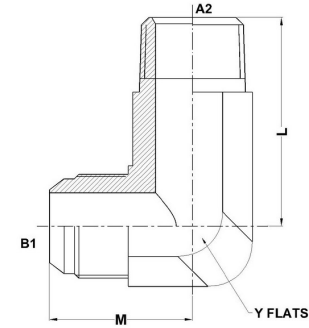
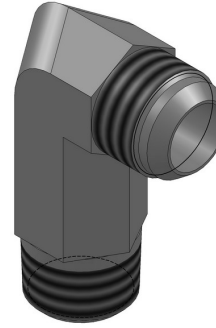




HYDROMATIK
connections par excellence

Tube Fittings & Adapters

MJ-MP 90° Long 2501-L Series | SAE# 071502



PART NO.SIZE	TUBE O.D.	B1 SAE 37	A2 NPFT	B1 DRILL	A2 DRILL	M LGTH	L LGTH	Y FLATS
2501-L-03-02-FG	3/16	3/8-24	1/8-27	0.125	0.188	0.83	1.04	0.438
2501-L-04-02-FG	1/4	7/16-20	1/8-27	0.172	0.188	0.89	1.17	0.438
2501-L-04-04-FG	1/4	7/16-20	1/4-18	0.172	0.281	1.05	1.58	0.562
2501-L-05-02-FG	5/16	1/2-20	1/8-27	0.234	0.188	0.95	1.17	0.562
2501-L-05-04-FG	5/16	1/2-20	1/4-18	0.234	0.281	0.95	1.58	0.562
2501-L-06-02-FG	3/8	9/16-18	1/8-27	0.297	0.188	1.06	1.39	0.562
2501-L-06-04-FG	3/8	9/16-18	1/4-18	0.297	0.281	1.06	1.58	0.562
2501-L-06-06-FG	3/8	9/16-18	3/8-18	0.297	0.406	1.14	1.82	0.750
2501-L-06-08-FG	3/8	9/16-18	1/2-14	0.297	0.531	1.22	2.17	0.875
2501-L-08-04-FG	1/2	3/4-16	1/4-18	0.391	0.281	1.25	1.82	0.750
2501-L-08-06-FG	1/2	3/4-16	3/8-18	0.391	0.406	1.25	1.82	0.750
2501-L-08-08-FG	1/2	3/4-16	1/2-14	0.391	0.531	1.33	2.17	0.875
2501-L-08-12-FG	1/2	3/4-16	3/4-14	0.391	0.719	1.42	2.44	1.062
2501-L-10-08-FG	5/8	7/8-14	1/2-14	0.484	0.531	1.45	2.17	0.875

2501-L-10-12-FG	5/8	7/8-14	3/4-14	0.484	0.719	1.54	2.44	1.062
2501-L-12-08-FG	3/4	1-1/16-12	1/2-14	0.609	0.531	1.66	2.44	1.062
2501-L-12-12-FG	3/4	1-1/16-12	3/4-14	0.609	0.719	1.66	2.44	1.062
2501-L-12-16-FG	3/4	1-1/16-12	1-11-1/2	0.609	0.938	1.76	3.01	1.312
2501-L-14-12-FG	7/8	1-3/16-12	3/4-14	0.719	0.719	1.80	2.59	1.312
2501-L-16-12-FG	1	1-5/16-12	3/4-14	0.844	0.719	1.81	2.82	1.312
2501-L-16-16-FG	1	1-5/16-12	1-11-1/2	0.844	0.938	1.81	3.01	1.312
2501-L-20-20-FG	1-1/4	1-5/8-12	1-1/4-11-1/2	1.078	1.250	2.06	3.69	1.625
2501-L-24-24-FG	1-1/2	1-7/8-12	1-1/2-11-1/2	1.312	1.500	2.33	4.10	1.875