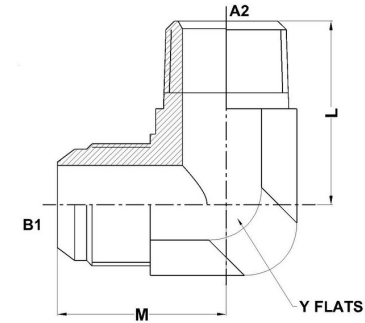
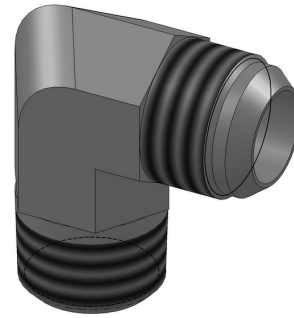




HYDROMATIK
connections par excellence

Tube Fittings & Adapters

MJ-MP 90° 2501 Series | SAE# 070202 / MS# 51504



PART NO.SIZE	TUBE O.D.	B1 SAE 37	A2 NPFT	B1 DRILL	A2 DRILL	M LGTH	L LGTH	Y FLATS
2501-02-02-FG	1/8	5/16-24	1/8-27	0.062	0.188	0.77	0.72	0.438
2501-02-04-FG	1/8	5/16-24	1/4-18	0.062	0.281	0.93	1.09	0.562
2501-03-02-FG	3/16	3/8-24	1/8-27	0.125	0.188	0.83	0.72	0.438
2501-04-01-FG	1/4	7/16-20	1/16-27	0.172	0.117	0.89	0.78	0.438
2501-04-02-FG	1/4	7/16-20	1/8-27	0.172	0.188	0.89	0.78	0.438
2501-04-04-FG	1/4	7/16-20	1/4-18	0.172	0.281	1.05	1.09	0.562
2501-04-06-FG	1/4	7/16-20	3/8-18	0.172	0.406	1.12	1.22	0.750
2501-04-08-FG	1/4	7/16-20	1/2-14	0.172	0.531	1.21	1.47	0.875
2501-04-12-FG	1/4	7/16-20	3/4-14	0.172	0.719	1.30	1.59	1.062
2501-05-02-FG	5/16	1/2-20	1/8-27	0.234	0.188	0.95	0.78	0.562
2501-05-04-FG	5/16	1/2-20	1/4-18	0.234	0.281	1.05	1.09	0.562
2501-05-06-FG	5/16	1/2-20	3/8-18	0.234	0.406	1.12	1.22	0.750
2501-05-08-FG	5/16	1/2-20	1/2-14	0.234	0.531	1.21	1.47	0.875
2501-06-01-FG	3/8	9/16-18	1/16-27	0.297	0.117	1.06	0.90	0.562

2501-06-02-FG	3/8	9/16-18	1/8-27	0.297	0.188	1.06	0.90	0.562
2501-06-04-FG	3/8	9/16-18	1/4-18	0.297	0.281	1.06	1.09	0.562
2501-06-06-FG	3/8	9/16-18	3/8-18	0.297	0.406	1.14	1.22	0.750
2501-06-08-FG	3/8	9/16-18	1/2-14	0.297	0.531	1.22	1.47	0.875
2501-06-12-FG	3/8	9/16-18	3/4-14	0.297	0.719	1.31	1.59	1.062
2501-08-02-FG	1/2	3/4-16	1/8-27	0.391	0.188	1.25	1.03	0.750
2501-08-04-FG	1/2	3/4-16	1/4-18	0.391	0.281	1.25	1.22	0.750
2501-08-06-FG	1/2	3/4-16	3/8-18	0.391	0.406	1.25	1.22	0.750
2501-08-08-FG	1/2	3/4-16	1/2-14	0.391	0.531	1.33	1.47	0.875
2501-08-12-FG	1/2	3/4-16	3/4-14	0.391	0.719	1.42	1.59	1.062
2501-08-16-FG	1/2	3/4-16	1-11-1/2	0.391	0.938	1.52	1.97	1.312
2501-10-04-FG	5/8	7/8-14	1/4-18	0.484	0.281	1.45	1.34	0.875
2501-10-06-FG	5/8	7/8-14	3/8-18	0.484	0.406	1.45	1.28	0.875
2501-10-08-FG	5/8	7/8-14	1/2-14	0.484	0.531	1.45	1.47	0.875
2501-10-12-FG	5/8	7/8-14	3/4-14	0.484	0.719	1.54	1.59	1.062
2501-10-16-FG	5/8	7/8-14	1-11-1/2	0.484	0.938	1.64	1.97	1.312
2501-12-06-FG	3/4	1-1/16-12	3/8-18	0.609	0.406	1.66	1.40	1.062
2501-12-08-FG	3/4	1-1/16-12	1/2-14	0.609	0.531	1.66	1.59	1.062
2501-12-12-FG	3/4	1-1/16-12	3/4-14	0.609	0.719	1.66	1.59	1.062
2501-12-16-FG	3/4	1-1/16-12	1-11-1/2	0.609	0.938	1.76	1.97	1.312
2501-12-20-FG	3/4	1-1/16-12	1-1/4-11-1/2	0.609	1.250	1.97	2.38	1.625
2501-14-08-FG	7/8	1-3/16-12	1/2-14	0.719	0.531	1.80	1.69	1.312
2501-14-12-FG	7/8	1-3/16-12	3/4-14	0.719	0.719	1.80	1.69	1.312

2501-14-16-FG	7/8	1-3/16-12	1-11-1/2	0.719	0.938	1.80	1.97	1.312
2501-16-08-FG	1	1-5/16-12	1/2-14	0.844	0.531	1.81	1.78	1.312
2501-16-12-FG	1	1-5/16-12	3/4-14	0.844	0.719	1.81	1.78	1.312
2501-16-16-FG	1	1-5/16-12	1-11-1/2	0.844	0.938	1.81	1.97	1.312
2501-16-20-FG	1	1-5/16-12	1-1/4-11-1/2	0.844	1.250	2.01	2.38	1.625
2501-16-24-FG	1	1-5/16-12	1-1/2-11-1/2	0.844	1.500	2.16	2.64	1.875
2501-20-12-FG	1-1/4	1-5/8-12	3/4-14	1.078	0.719	2.06	2.16	1.625
2501-20-16-FG	1-1/4	1-5/8-12	1-11-1/2	1.078	0.938	2.06	2.35	1.625
2501-20-20-FG	1-1/4	1-5/8-12	1-1/4-11-1/2	1.078	1.250	2.06	2.38	1.625
2501-20-24-FG	1-1/4	1-5/8-12	1-1/2-11-1/2	1.078	1.500	2.20	2.64	1.875
2501-24-16-FG	1-1/2	1-7/8-12	1-11-1/2	1.312	0.938	2.33	2.58	1.875
2501-24-20-FG	1-1/2	1-7/8-12	1-1/4-11-1/2	1.312	1.250	2.33	2.61	1.875
2501-24-24-FG	1-1/2	1-7/8-12	1-1/2-11-1/2	1.312	1.500	2.33	2.64	1.875
2501-24-32-FG	1-1/2	1-7/8-12	2-11-1/2	1.312	1.938	2.81	3.00	2.500
2501-32-24-FG	2	2-1/2-12	1-1/2-11-1/2	1.781	1.500	3.06	2.97	2.500
2501-32-32-FG	2	2-1/2-12	2-11-1/2	1.781	1.938	3.06	3.00	2.500
2501-40-40-FG	2-1/2	3-12	2-1/2-8	2.318	2.318	3.25	3.95	3.234