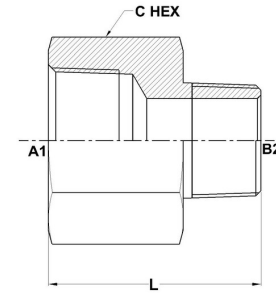
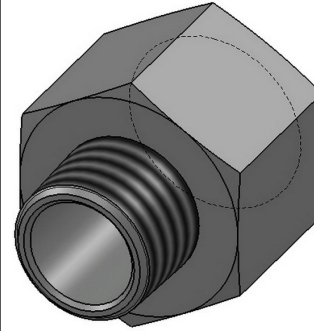




**HYDROMATIK**  
connections par excellence

## International Fittings

**FNPT-MBSPT** 7040 Series |



PART NO.SIZE	A1 NPTF	B2 BSPT	B2 DRILL	L LGTH	C HEX
7040-02-02	1/8-27	1/8-28	4.8	26.4	15.0
7040-04-04	1/4-18	1/4-19	7.0	35.3	19.0
7040-06-06	3/8-18	3/8-19	10.3	36.6	22.0
7040-08-08	1/2-14	1/2-14	13.5	47.5	28.0
7040-12-08	3/4-14	1/2-14	13.5	49.0	35.0
7040-12-12	3/4-14	3/4-14	18.0	49.0	35.0
7040-16-16	1-11-1/2	1-11	23.8	60.2	41.0
7040-24-24	1-1/2-11-1/2	1-1/2-11	38.0	64.3	60.0