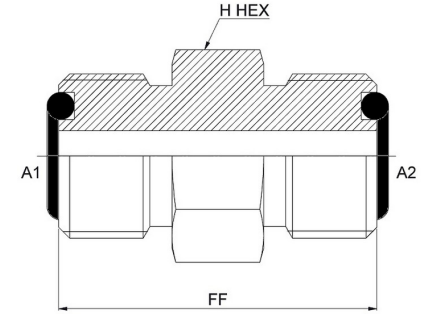
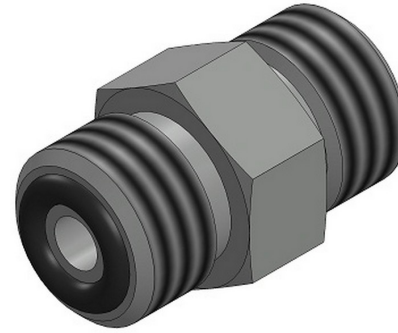




**HYDROMATIK**  
connections par excellence

## O-Ring Face Seal Fittings

**MFS-MFS Straight** FS2403 Series | SAE# 520101



PART NO. SIZE	A1 TUBE O.D.	A2 TUBE O.D.	A1 THREAD	A2 THREAD	A1 DRILL	A2 DRILL	FF LGTH	H HEX
FS2403-04-04	1/4	1/4	9/16-18	9/16-18	0.172	0.172	1.08	0.625
FS2403-06-04	3/8	1/4	11/16-16	9/16-18	0.264	0.172	1.17	0.750
FS2403-06-06	3/8	3/8	11/16-16	11/16-16	0.264	0.264	1.22	0.750
FS2403-08-06	1/2	3/8	13/16-16	11/16-16	0.378	0.264	1.33	0.875
FS2403-08-08	1/2	1/2	13/16-16	13/16-16	0.378	0.378	1.39	0.875
FS2403-10-08	5/8	1/2	1-14	13/16-16	0.484	0.378	1.57	1.062
FS2403-10-10	5/8	5/8	1-14	1-14	0.484	0.484	1.68	1.062
FS2403-12-08	3/4	1/2	1-3/16-12	13/16-16	0.609	0.378	1.69	1.250
FS2403-12-10	3/4	5/8	1-3/16-12	1-14	0.609	0.484	1.80	1.250
FS2403-12-12	3/4	3/4	1-3/16-12	1-3/16-12	0.609	0.609	1.86	1.250
FS2403-16-12	1	3/4	1-7/16-12	1-3/16-12	0.811	0.609	1.92	1.500
FS2403-16-16	1	1	1-7/16-12	1-7/16-12	0.811	0.811	1.94	1.500
FS2403-20-16	1-1/4	1	1-11/16-12	1-7/16-12	1.024	0.811	2.02	1.750

FS2403-20-20	1-1/4	1-1/4	1-11/16-12	1-11/16-12	1.024	1.024	2.02	1.750
FS2403-24-20	1-1/2	1-1/4	2-12	1-11/16-12	1.260	1.024	2.09	2.125
FS2403-24-24	1-1/2	1-1/2	2-12	2-12	1.260	1.260	2.09	2.125