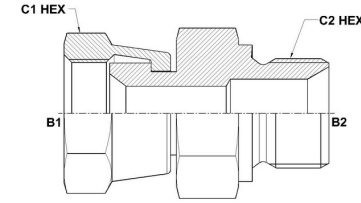
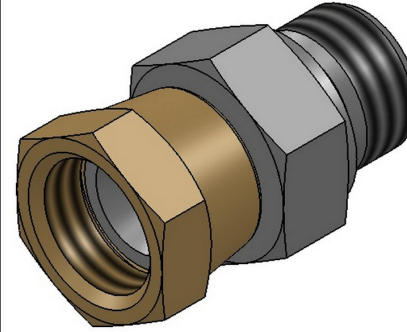




HYDROMATIK
connections par excellence

International Fittings

FJS-MM Metric 7025 Series |



PART NO.SIZE	TUBE O.D	B1 JIC	B2 MM	B1 DRILL	B2 DRILL	L LGTH	C1 HEX	C2 HEX
7025-05-12	5/16	1/2-20	M12 x 1.5	6.0	6.0	37.7	17.0	19.0
7025-06-14	3/8	9/16-18	M14 x 1.5	7.5	7.5	38.7	19.0	19.0
7025-06-16	3/8	9/16-18	M16 x 1.5	7.5	9.0	40.2	19.0	22.0
7025-06-18	3/8	9/16-18	M18 x 1.5	7.5	11.0	40.2	19.0	24.0
7025-06-20	3/8	9/16-18	M20 x 1.5	7.5	12.5	40.7	19.0	27.0
7025-06-22	3/8	9/16-18	M22 x 1.5	7.5	14.0	43.7	19.0	27.0
7025-08-16	1/2	3/4-16	M16 x 1.5	9.9	9.0	42.6	22.0	22.0
7025-08-18	1/2	3/4-16	M18 x 1.5	9.9	11.0	42.6	22.0	24.0
7025-08-20	1/2	3/4-16	M20 x 1.5	9.9	12.5	43.1	22.0	27.0
7025-08-22	1/2	3/4-16	M22 x 1.5	9.9	14.0	46.1	22.0	27.0
7025-10-08	5/8	7/8-14	M8 x 1	12.3	3.0	40.8	27.0	24.0
7025-10-16	5/8	7/8-14	M16 x 1.5	12.3	9.0	44.8	27.0	24.0
7025-10-18	5/8	7/8-14	M18 x 1.5	12.3	11.0	44.8	27.0	24.0
7025-10-20	5/8	7/8-14	M20 x 1.5	12.3	12.5	45.9	27.0	27.0
7025-10-22	5/8	7/8-14	M22 x 1.5	12.3	14.0	48.9	27.0	27.0

