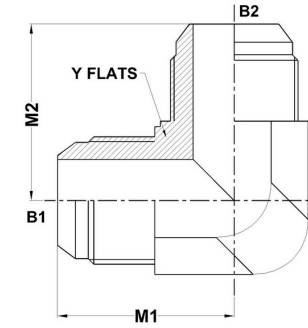
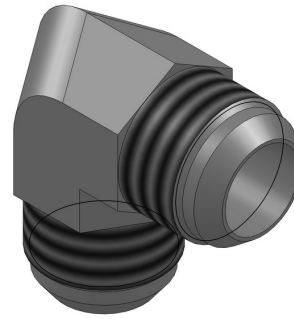




HYDROMATIK
connections par excellence

Tube Fittings & Adapters

MJ-MJ 90° 2500 Series | SAE# 070201 / MS# 51505



PART NO.SIZE	B1 TUBE O.D.	B2 TUBE O.D.	B1 SAE 37	B2 SAE 37	B1 DRILL	B2 DRILL	M1 LGTH	M2 LGTH	Y FLATS
2500-02-02-FG	1/8	1/8	5/16-24	5/16-24	0.062	0.062	0.77	0.77	0.438
2500-03-03-FG	3/16	3/16	3/8-24	3/8-24	0.125	0.125	0.83	0.83	0.438
2500-04-04-FG	1/4	1/4	7/16-20	7/16-20	0.172	0.172	0.89	0.89	0.438
2500-05-04-FG	5/16	1/4	1/2-20	7/16-20	0.234	0.172	0.95	0.95	0.562
2500-05-05-FG	5/16	5/16	1/2-20	1/2-20	0.234	0.234	0.95	0.95	0.562
2500-06-04-FG	3/8	1/4	9/16-18	7/16-20	0.297	0.172	1.06	1.05	0.562
2500-06-05-FG	3/8	5/16	9/16-18	1/2-20	0.297	0.234	1.06	1.05	0.562
2500-06-06-FG	3/8	3/8	9/16-18	9/16-18	0.297	0.297	1.06	1.06	0.562
2500-08-04-FG	1/2	1/4	3/4-16	7/16-20	0.391	0.172	1.25	1.12	0.750
2500-08-06-FG	1/2	3/8	3/4-16	9/16-18	0.391	0.297	1.25	1.14	0.750
2500-08-08-FG	1/2	1/2	3/4-16	3/4-16	0.391	0.391	1.25	1.25	0.750
2500-10-08-FG	5/8	1/2	7/8-14	3/4-16	0.484	0.391	1.45	1.33	0.875
2500-10-10-FG	5/8	5/8	7/8-14	7/8-14	0.484	0.484	1.45	1.45	0.875
2500-12-08-FG	3/4	1/2	1-1/16-12	3/4-16	0.609	0.391	1.66	1.42	1.062

2500-12-10-FG	3/4	5/8	1-1/16-12	7/8-14	0.609	0.484	1.66	1.54	1.062
2500-12-12-FG	3/4	3/4	1-1/16-12	1-1/16-12	0.609	0.609	1.66	1.66	1.062
2500-14-14-FG	7/8	7/8	1-3/16-12	1-3/16-12	0.719	0.719	1.80	1.80	1.312
2500-16-12-FG	1	3/4	1-5/16-12	1-1/16-12	0.844	0.609	1.81	1.76	1.312
2500-16-16-FG	1	1	1-5/16-12	1-5/16-12	0.844	0.844	1.81	1.81	1.312
2500-20-20-FG	1-1/4	1-1/4	1-5/8-12	1-5/8-12	1.078	1.078	2.06	2.06	1.625
2500-24-24-FG	1-1/2	1-1/2	1-7/8-12	1-7/8-12	1.312	1.312	2.33	2.33	1.875
2500-32-32-FG	2	2	2-1/2-12	2-1/2-12	1.781	1.781	3.06	3.06	2.500