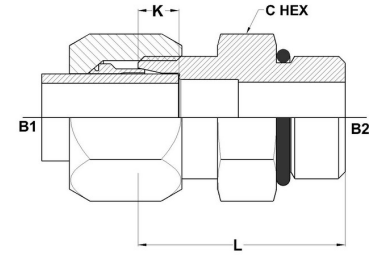
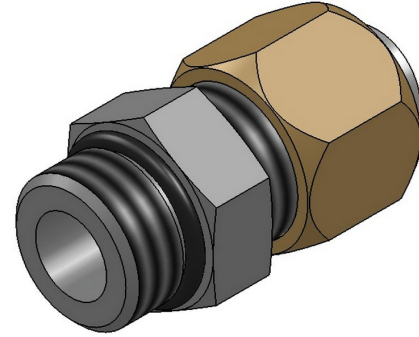




HYDROMATIK
connections par excellence

Flareless Bite Type Fittings

BT-MORB C6400-O Series | SAE # 080120 /MS # 51843



PART NO.SIZE	TUBE O.D.	B1 THREAD	B2 THREAD	B1 DRILL	B2 DRILL	K DEPTH	L LGTH	C HEX
C6400-02-02-O	1/8	5/16-24	5/16-24	0.093	0.093	0.188	0.99	0.438
C6400-03-03-O	3/16	3/8-24	3/8-24	0.125	0.125	0.234	1.04	0.500
C6400-04-04-O	1/4	7/16-20	7/16-20	0.203	0.203	0.234	1.13	0.562
C6400-04-05-O	1/4 5/16	7/16-20	1/2-20	0.203	0.234	0.234	1.13	0.625
C6400-04-06-O	1/4 3/8	7/16-20	9/16-18	0.203	0.281	0.234	1.19	0.688
C6400-05-05-O	5/16	1/2-20	1/2-20	0.234	0.234	0.250	1.13	0.625
C6400-06-04-O	3/8 1/4	9/16-18	7/16-20	0.281	0.203	0.250	1.24	0.688
C6400-06-05-O	3/8 5/16	9/16-18	1/2-20	0.281	0.234	0.250	1.24	0.688
C6400-06-06-O	3/8	9/16-18	9/16-18	0.281	0.281	0.250	1.21	0.688
C6400-06-08-O	3/8 1/2	9/16-18	3/4-16	0.281	0.422	0.250	1.29	0.875
C6400-08-06-O	1/2 3/8	3/4-16	9/16-18	0.422	0.281	0.305	1.42	0.875
C6400-08-08-O	1/2	3/4-16	3/4-16	0.422	0.422	0.305	1.38	0.875
C6400-08-10-O	1/2 5/8	3/4-16	7/8-14	0.422	0.500	0.305	1.51	1.000
C6400-08-12-O	1/2 3/4	3/4-16	1-1/16-12	0.422	0.656	0.305	1.67	1.250
C6400-10-10-O	5/8	7/8-14	7/8-14	0.500	0.500	0.350	1.57	1.000

C6400-12-08-O	3/4 1/2	1-1/16-12	3/4-16	0.656	0.422	0.350	1.82	1.250
C6400-12-12-O	3/4	1-1/16-12	1-1/16-12	0.656	0.656	0.350	1.79	1.250
C6400-12-16-O	3/4 1	1-1/16-12	1-5/16-12	0.656	0.875	0.350	1.82	1.500
C6400-16-12-O	1-3/4	1-5/16-12	1-1/16-12	0.875	0.656	0.415	1.82	1.500
C6400-16-16-O	1	1-5/16-12	1-5/16-12	0.875	0.875	0.415	1.82	1.500
C6400-20-20-O	1-1/4	1-5/8-12	1-5/8-12	1.093	1.093	0.415	1.90	1.875
C6400-24-24-O	1-1/2	1-7/8-12	1-7/8-12	1.344	1.344	0.485	1.97	2.125
C6400-32-32-O	2	2-1/2-12	2-1/2-12	1.813	1.813	0.485	2.13	2.750