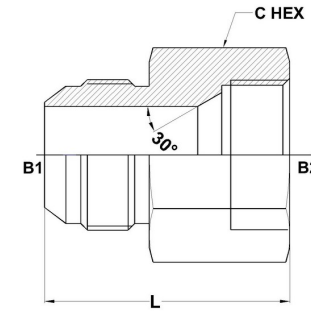
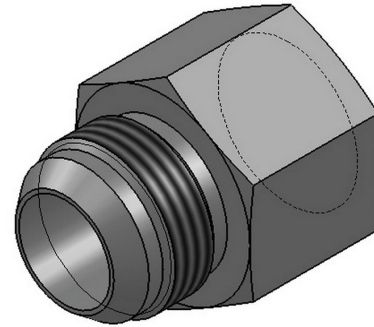




HYDROMATIK
connections par excellence

International Fittings

Komatsu MJ-FK 7009-F Series |



PART NO.SIZE	TUBE O.D	B1 JIC	B2 FK METRIC	B1 DRILL	L LGTH	C1 HEX
7009-F-04-14	1/4	7/16-20	M14 x 1.5	4.4	35.4	19.0
7009-F-06-18	3/8	9/16-18	M18 x 1.5	7.5	36.6	24.0
7009-F-08-22	1/2	3/4-16	M22 x 1.5	9.9	42.2	27.0
7009-F-10-24	5/8	7/8-14	M24 x 1.5	12.3	41.8	32.0
7009-F-12-30	3/4	1-1/16-12	M30 x 1.5	15.5	49.4	36.0
7009-F-16-33	1	1-5/16-12	M33 x 1.5	21.5	55.1	41.0