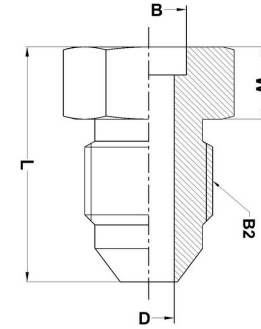
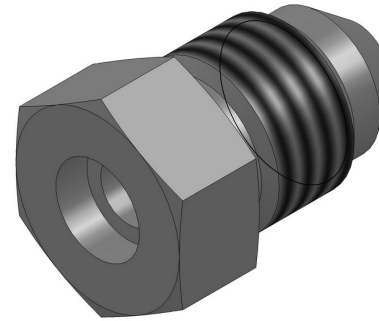




HYDROMATIK
connections par excellence

Tube Fittings & Adapters

Bore-MJ Straight 0403 Series |



PART NO. SIZE	TUBE O.D.	B2 THREAD	B BORE	D DRILL	L LGTH	W WIDTH	C HEX
0403-04-04	1/4	7/16-20	0.256	0.172	0.796	0.220	0.500
0403-05-04	5/16	7/16-20	0.319	0.172	0.796	0.220	0.500
0403-05-05	5/16	1/2-20	0.319	0.234	0.796	0.220	0.562
0403-06-06	3/8	9/16-18	0.381	0.297	0.843	0.250	0.625
0403-06-08	3/8	3/4-16	0.381	0.391	0.937	0.250	0.812
0403-08-06	1/2	9/16-18	0.506	0.297	0.837	0.250	0.812
0403-08-08	1/2	3/4-16	0.506	0.391	0.937	0.250	0.812
0403-08-10	1/2	7/8-14	0.506	0.484	1.093	0.310	0.937
0403-10-08	5/8	3/4-16	0.631	0.391	0.937	0.250	0.937
0403-10-10	5/8	7/8-14	0.631	0.484	1.093	0.310	0.937
0403-10-12	5/8	1-1/16-12	0.631	0.609	1.281	0.380	1.250
0403-12-08	3/4	3/4-16	0.757	0.391	0.937	0.380	1.250
0403-12-10	3/4	7/8-14	0.757	0.484	1.093	0.380	1.250
0403-12-12	3/4	1-1/16-12	0.757	0.609	1.281	0.380	1.250

0403-14-14	7/8	1-3/16-12	0.882	0.719	1.312	0.380	1.375
0403-16-12	1	1-1/16-12	1.007	0.609	1.281	0.380	1.375
0403-16-16	1	1-5/16-12	1.007	0.844	1.328	0.380	1.375
0403-16-20	1	1-5/8-12	1.007	1.078	1.453	0.460	1.688
0403-20-16	1-1/4	1-5/16-12	1.258	0.844	1.328	0.460	1.688
0403-20-20	1-1/4	1-5/8-12	1.258	1.078	1.453	0.460	1.688
0403-20-24	1-1/4	1-7/8-12	1.258	1.312	1.656	0.530	2.000
0403-24-20	1-1/2	1-5/8-12	1.508	1.078	1.453	0.530	2.000
0403-24-24	1-1/2	1-7/8-12	1.508	1.312	1.656	0.530	2.000
0403-32-32	2	2-1/2-12	2.008	1.781	2.046	0.680	2.625