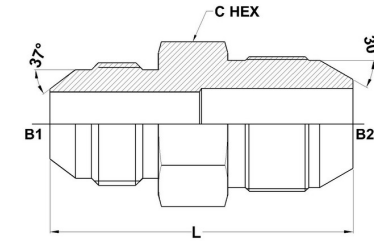
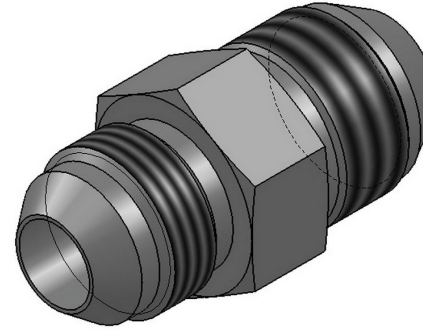




**HYDROMATIK**  
connections par excellence

## International Fittings

### Komatsu MJ-MK Union 7009 Series |



PART NO.SIZE	TUBE O.D	B1 JIC	B2 MK METRIC	B1 DRILL	B2 DRILL	L LGTH	C HEX
7009-04-14	1/4	7/16-20	M14 x 1.5	4.4	5.0	37.4	17.0
7009-06-16	3/8	9/16-18	M16 x 1.6				19.0
7009-06-18	3/8	9/16-18	M18 x 1.5	7.5	8.0	39.2	22.0
7009-08-22	1/2	3/4-16	M22 x 1.5	9.9	10.0	45.4	24.0
7009-10-24	5/8	7/8-14	M24 x 1.5	12.3	13.0	51.3	27.0
7009-12-30	3/4	1-1/16-12	M30 x 1.5	15.5	14.0	58.5	32.0
7009-16-33	1	1-5/16-12	M33 x 1.5	21.5	22.0	63.7	38.0