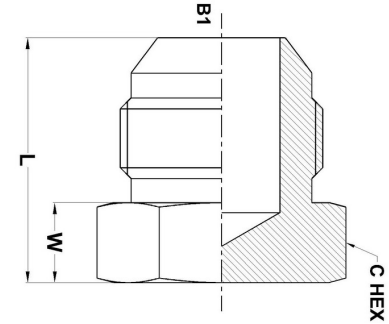
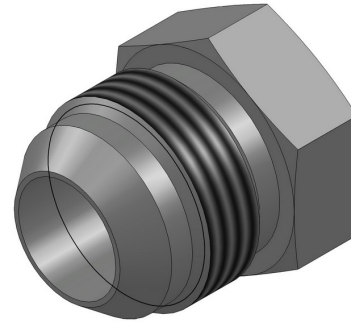




**HYDROMATIK**  
connections par excellence

## Tube Fittings & Adapters

**MJ Plug** 2408 Series | SAE# 070109 / MS# 51518



PART NO. SIZE	TUBE O.D.	B1 SAE 37	L LGTH	W WIDTH	C HEX
2408-02	1/8	5/16-24	0.70	0.22	0.438
2408-03	3/16	3/8-24	0.73	0.22	0.438
2408-04	1/4	7/16-20	0.80	0.22	0.500
2408-05	5/16	1/2-20	0.80	0.22	0.562
2408-06	3/8	9/16-18	0.84	0.25	0.625
2408-08	1/2	3/4-16	0.94	0.25	0.812
2408-10	5/8	7/8-14	1.10	0.31	0.937
2408-12	3/4	1-1/16-12	1.28	0.38	1.125
2408-14	7/8	1-3/16-12	1.31	0.38	1.250
2408-16	1	1-5/16-12	1.33	0.38	1.375
2408-20	1-1/4	1-5/8-12	1.45	0.46	1.688
2408-24	1-1/2	1-7/8-12	1.65	0.53	2.000
2408-32	2	2-1/2-12	2.05	0.68	2.625