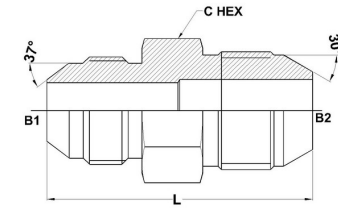
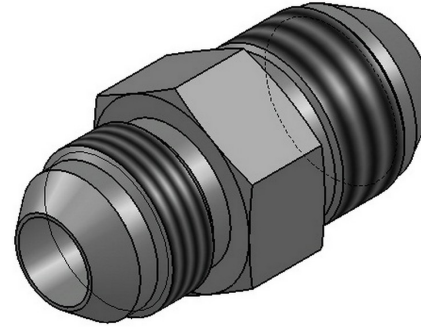




**HYDROMATIK**  
connections par excellence

## International Fittings

### MJ-MJIS Union 7008 Series |



PART NO.SIZE	TUBE O.D	B1 JIC	B2 JIS BSPP	B1 DRILL	B2 DRILL	L LGTH	C HEX
7008-04-02	1/4	7/16-20	1/8-28	4.4		34.0	14.0
7008-04-04	1/4	7/16-20	1/4-19	4.4	5.0	38.0	17.0
7008-06-06	3/8	9/16-18	3/8-19	7.5	8.0	40.1	19.0
7008-08-08	1/2	3/4-16	1/2-14	9.9	11.0	46.7	22.0
7008-12-12	3/4	1-1/16-12	3/4-14	15.5	16.0	55.9	30.0