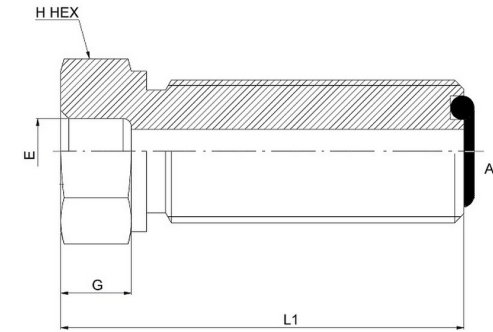
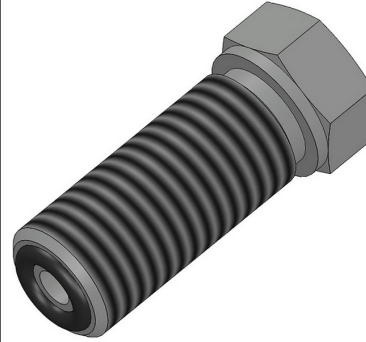




HYDROMATIK
connections par excellence

O-Ring Face Seal Fittings

Bore-MFS Bulkhead Straight FS0406 Series |



PART NO.SIZE	E* BORE	A THREAD	A DRILL	G DEPTH	L1 LGTH	H HEX
FS0406-08-08	0.506	13/16-16	0.378	0.330	1.91	0.875
FS0406-10-08	0.631	13/16-16	0.378	0.330	1.91	1.062

*E,G dimensions are for silver brazing.(SAE J1453)

*Locknut style available. Use part number FS0406-LN-(size)