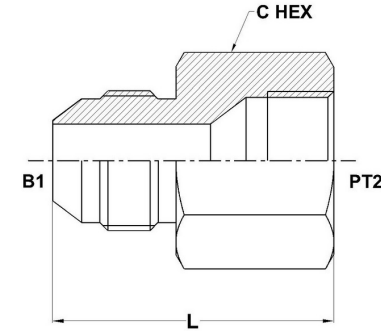
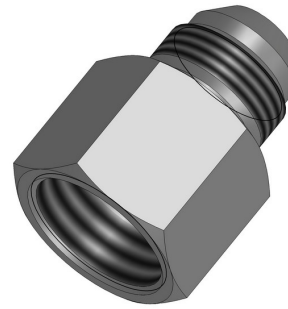




HYDROMATIK
connections par excellence

International Fittings

MJ-MM Port Metric 7005 Series |



PART NO. SIZE	TUBE O.D.	B1 JIC	B2 MM	B1 DRILL	B2 DRILL	L LGTH	C HEX
7005-04-10	1/4	7/16-20	M10 x 1	4.4	4.5	27.5	16.0
7005-04-12	1/4	7/16-20	M12 x 1.5	4.4	6.0	33.0	19.0
7005-04-14	1/4	7/16-20	M14 x 1.5	4.4	7.5	33.0	19.0
7005-04-18	1/4	7/16-20	M18 x 1.5	4.4	11.0	34.5	24.0
7005-04-20	1/4	7/16-20	M20 x 1.5	4.4	12.5	35.0	27.0
7005-04-22	1/4	7/16-20	M22 x 1.5	4.4	14.0	38.0	27.0
7005-05-12	5/16	1/2-20	M12 x 1.5	6.0	6.0	33.0	19.0
7005-06-12	3/8	9/16-18	M12 x 1.5	7.5	6.0	33.1	19.0
7005-06-14	3/8	9/16-18	M14 x 1.5	7.5	7.5	33.1	19.0
7005-06-16	3/8	9/16-18	M16 x 1.5	7.5	9.0	34.6	22.0
7005-06-18	3/8	9/16-18	M18 x 1.5	7.5	11.0	34.6	24.0
7005-06-20	3/8	9/16-18	M20 x 1.5	7.5	12.5	35.1	27.0
7005-08-12	1/2	3/4-16	M12 x 1.5	9.9	6.0	36.4	19.0
7005-08-14	1/2	3/4-16	M14 x 1.5	9.9	7.5	36.4	19.0
7005-08-16	1/2	3/4-16	M16 x 1.5	9.9	9.0	37.2	22.0

7005-08-18	1/2	3/4-16	M18 x 1.5	9.9	11.0	37.2	24.0
7005-08-20	1/2	3/4-16	M20 x 1.5	9.9	12.5	37.7	27.0
7005-08-22	1/2	3/4-16	M22 x 1.5	9.9	14.0	40.7	27.0
7005-08-27	1/2	3/4-16	M27 x 2	9.9	18.0	42.7	32.0
7005-10-18	5/8	7/8-14	M18 x 1.5	12.3	11.0	40.5	24.0
7005-10-20	5/8	7/8-14	M20 x 1.5	12.3	12.5	40.3	27.0
7005-10-22	5/8	7/8-14	M22 x 1.5	12.3	14.0	43.3	27.0
7005-10-26	5/8	7/8-14	M26 x 1.5	12.3	18.0	45.3	32.0
7005-12-22	3/4	1-1/16-12	M22 x 1.5	15.5	14.0	47.0	27.0
7005-12-24	3/4	1-1/16-12	M24 x 1.5	15.5	15.5	47.4	32.0
7005-12-26	3/4	1-1/16-12	M26 x 1.5	15.5	18.0	47.9	32.0
7005-12-27	3/4	1-1/16-12	M27 x 2	15.5	18.0	47.9	32.0
7005-16-33	1	1-5/16-12	M33 x 2	21.5	23.0	52.1	41.0
7005-20-30	1-1/4	1-5/8-12	M30 x 2	27.5	21.0	55.4	46.0
7005-20-42	1-1/4	1-5/8-12	M42 x 2	27.5	30.0	56.3	50.0
7005-24-42	1-1/2	1-7/8-12	M42 x 2	33.0	30.0	62.3	50.0
7005-24-48	1-1/2	1-7/8-12	M48 x 2	33.0	36.0	63.5	55.0

ADD -BS AS SUFFIX TO ORDER WITH BONDED SEAL
ORDER PART NUMBER 7001 FOR RETAINING RING STYLE
ORDER PART NUMBER 7640 FOR ISO 6149-3 STYLE