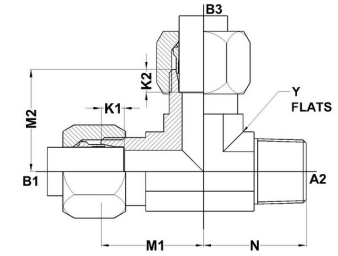
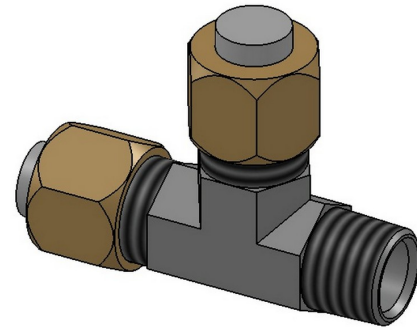




HYDROMATIK
connections par excellence

Flareless Bite Type Fittings

BT-MP-BT Tee C2605 Series | SAE# 080424 / MS#51824



PART NO. SIZE	TUBE O.D.	B1 THREAD	A2 NPTF	B3 THREAD	B1 DRILL	A2 DRILL	B3 DRILL	M1 LGTH	N LGTH	M2 LGTH	K1 DEPTH	K2 DEPTH	Y FLATS
C2605-04-02-04-FG	1/4	7/16-20	1/8-27	7/16-20	0.203	0.188	0.203	0.89	0.78	0.89	0.234	0.234	0.438
C2605-04-04-04-FG	1/4	7/16-20	1/4-18	7/16-20	0.203	0.281	0.203	1.03	1.09	1.03	0.234	0.234	0.562
C2605-05-02-05-FG	5/16	1/2-20	1/8-27	1/2-20	0.234	0.188	0.234	0.95	0.81	0.95	0.250	0.250	0.562
C2605-06-04-06-FG	3/8	9/16-18	1/4-18	9/16-18	0.281	0.281	0.281	1.05	1.09	1.05	0.250	0.250	0.562
C2605-06-06-06-FG	3/8	9/16-18	3/8-18	9/16-18	0.281	0.406	0.281	1.14	1.22	1.14	0.250	0.250	0.750
C2605-06-06-08-FG	1/2	3/4-16	3/8-18	3/4-16	0.281	0.406	0.422	1.14	1.22	1.25	0.250	0.305	0.750
C2605-08-08-08-FG	1/2	3/4-16	1/2-14	3/4-16	0.422	0.531	0.422	1.35	1.47	1.35	0.305	0.305	0.875
C2605-10-08-10-FG	5/8	7/8-14	1/2-14	7/8-14	0.500	0.531	0.500	1.42	1.47	1.42	0.350	0.350	0.875
C2605-12-12-12-FG	3/4	1-1/16-12	3/4-14	1-1/16-12	0.656	0.719	0.656	1.58	1.59	1.58	0.350	0.350	1.062
C2605-16-16-16-FG	1	1-5/16-12	1-11 1/2	1-5/16-12	0.875	0.938	0.875	1.73	1.97	1.73	0.415	0.415	1.312