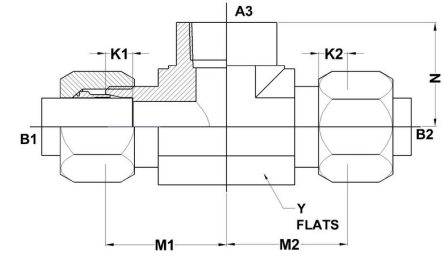
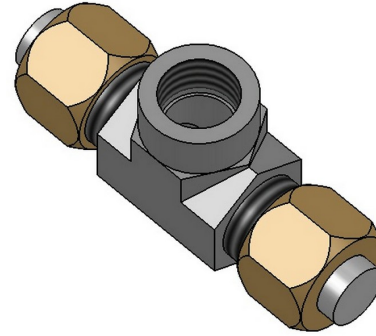




HYDROMATIK
connections par excellence

Flareless Bite Type Fittings

BT-BT-FP-Tee C2602 Series | SAE# 080427 / MS#51821



PART NO.SIZE	TUBE O.D.	B1 THREAD	B2 THREAD	A3 NPTF	B1 DRILL	B2 DRILL	M1 LGTH	M2 LGTH	N LGTH	K1 DEPTH	K2 DEPTH	Y FLATS
C2602-04-04-02-FG	1/4	7/16-20	7/16-20	1/8-27	0.203	0.203	0.89	0.89	0.66	0.234	0.234	0.562
C2602-04-04-04-FG	1/4	7/16-20	7/16-20	1/4-18	0.203	0.203	1.03	1.03	0.88	0.234	0.234	0.750
C2602-06-06-04-FG	3/8	9/16-18	9/16-18	1/4-18	0.281	0.281	1.05	1.05	0.88	0.250	0.250	0.750
C2602-08-08-06-FG	1/2	3/4-16	3/4-16	3/8-18	0.422	0.422	1.23	1.23	1.02	0.305	0.305	0.875
C2602-08-08-08-FG	1/2	3/4-16	3/4-16	3/4-16	0.422	0.422	1.35	1.35	1.23	0.305	0.305	1.062
C2602-10-10-08-FG	5/8	7/8-14	7/8-14	1/2-14	0.500	0.500	1.42	1.42	1.23	0.350	0.350	1.062
C2602-12-12-12-FG	3/4	1-1/16-12	1-1/16-12	3/4-14	0.656	0.656	1.58	1.58	1.36	0.350	0.350	1.312
C2602-16-16-16-FG	1	1-5/16-12	1-5/16-12	1-11 1/2	0.875	0.875	1.73	1.73	1.62	0.415	0.415	1.625
C2602-20-20-20-FG	1-1/4	1-5/8-12	1-5/8-12	1-1/4-11 1/2	1.093	1.093	2.08	2.08	1.70	0.415	0.415	1.875