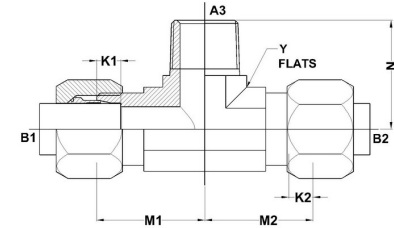
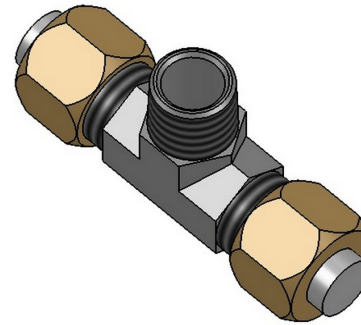




HYDROMATIK
connections par excellence

Flareless Bite Type Fittings

BT-BT-MP Tee C2601 Series | SAE# 080425 / MS#51818



PART NO. SIZE	TUBE O.D.	B1 THREAD	B2 THREAD	A3 NPTF	B1 DRILL	B2 DRILL	A3 DRILL	M1 LGTH	M2 LGTH	N LGTH	K1 DEPTH	K2 DEPTH	Y FLATS
C2601-02-02-02-FG	1/8	5/16-24	5/16-24	1/8-27	0.093	0.093	0.188	0.77	0.77	0.72	0.188	0.188	0.438
C2601-04-04-02-FG	1/4	7/16-20	7/16-20	1/8-27	0.203	0.203	0.188	0.89	0.89	0.78	0.234	0.234	0.438
C2601-04-04-04-FG	1/4	7/16-20	7/16-20	1/4-18	0.203	0.203	0.281	1.03	1.03	1.09	0.234	0.234	0.562
C2601-05-05-02-FG	5/16	1/2-20	1/2-20	1/8-27	0.234	0.234	0.188	0.95	0.95	0.81	0.250	0.250	0.562
C2601-06-06-04-FG	3/8	9/16-18	9/16-18	1/4-18	0.281	0.281	0.281	1.05	1.05	1.09	0.250	0.250	0.562
C2601-06-06-06-FG	3/8	9/16-18	9/16-18	3/8-18	0.281	0.281	0.406	1.14	1.14	1.22	0.250	0.250	0.750
C2601-08-08-06-FG	1/2	3/4-16	3/4-16	3/8-18	0.422	0.422	0.406	1.25	1.25	1.22	0.305	0.305	0.750
C2601-08-08-08-FG	1/2	3/4-16	3/4-16	1/2-14	0.422	0.422	0.531	1.35	1.35	1.47	0.305	0.305	0.875
C2601-10-10-08-FG	5/8	7/8-14	7/8-14	1/2-14	0.500	0.500	0.531	1.42	1.42	1.47	0.350	0.350	0.875
C2601-12-12-12-FG	3/4	1-1/16-12	1-1/16-12	3/4-14	0.656	0.656	0.719	1.58	1.58	1.59	0.350	0.350	1.062
C2601-16-16-16-FG	1	1-5/16-12	1-5/16-12	1-11 1/2	0.875	0.875	0.938	1.73	1.73	1.97	0.415	0.415	1.312