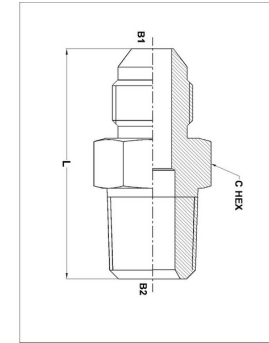
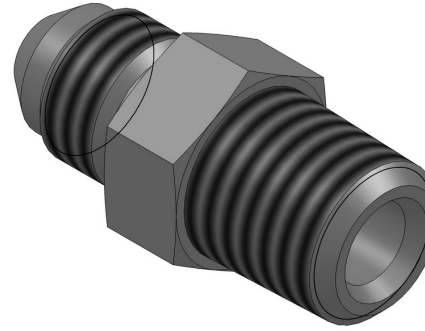




HYDROMATIK
connections par excellence

International Fittings

MJ-MBSPT 7000 Series |



PART NO.SIZE	TUBE O.D.	B1 JIC	B2 BSPT	B1 DRILL	B2 DRILL	L LGTH	C HEX
7000-04-02	1/4	7/16-20	1/8-28	4.4	4.8	31.0	12.0
7000-04-04	1/4	7/16-20	1/4-19	4.4	7.0	35.1	14.0
7000-04-06	1/4	7/16-20	3/8-19	4.4	10.3	35.1	19.0
7000-05-02	5/16	1/2-20	1/8-28	6.0	4.8	31.0	14.0
7000-05-04	5/16	1/2-20	1/4-19	6.0	7.0	35.5	14.0
7000-06-02	3/8	9/16-18	1/8-28	7.5	4.8	31.9	17.0
7000-06-04	3/8	9/16-18	1/4-19	7.5	7.0	36.4	17.0
7000-06-06	3/8	9/16-18	3/8-19	7.5	10.3	35.2	19.0
7000-06-08	3/8	9/16-18	1/2-14	7.5	13.5	41.5	22.0
7000-08-04	1/2	3/4-16	1/4-19	9.9	7.0	39.1	19.0
7000-08-06	1/2	3/4-16	3/8-19	9.9	10.3	39.1	19.0
7000-08-08	1/2	3/4-16	1/2-14	9.9	13.5	44.1	22.0
7000-08-12	1/2	3/4-16	3/4-14	9.9	18.0	45.9	27.0
7000-10-06	5/8	7/8-14	3/8-19	12.3	10.3	43.2	24.0
7000-10-08	5/8	7/8-14	1/2-14	12.3	13.5	48.0	24.0

7000-10-12	5/8	7/8-14	3/4-14	12.3	18.0	48.5	27.0
7000-12-08	3/4	1-1/16-12	1/2-14	15.5	13.5	52.5	27.0
7000-12-12	3/4	1-1/16-12	3/4-14	15.5	18.0	52.5	27.0
7000-12-16	3/4	1-1/16-12	1-11	15.5	23.8	56.0	36.0
7000-16-12	1	1-5/16-12	3/4-14	21.5	18.0	53.6	36.0
7000-16-16	1	1-5/16-12	1-11	21.5	23.8	58.5	36.0
7000-20-16	1-1/4	1-5/8-12	1-11	27.5	23.8	61.8	46.0
7000-20-20	1-1/4	1-5/8-12	1-1/4-11	27.5	31.7	62.5	46.0
7000-24-24	1-1/2	1-7/8-12	1-1/2-11	33.0	38.0	68.2	50.0
7000-32-32	2	2-1/2-12	2-11	45.0	49.0	79.2	65.0