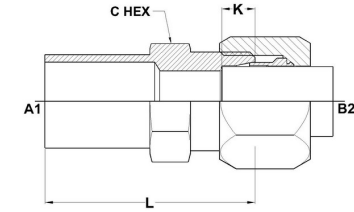
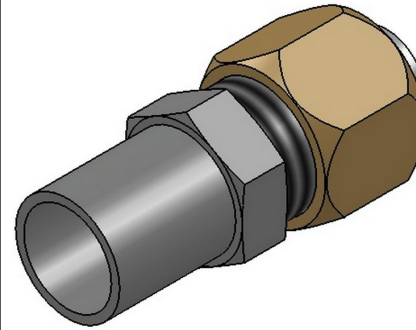




HYDROMATIK
connections par excellence

Flareless Bite Type Fittings

Tube-BT Reducer C2406 Series | SAE# 080123



PART NO. SIZE	A1 TUBE O.D.	A1 TUBE	B2 TUBE	B2 THREAD	A1 DRILL	B2 DRILL	L LGTH	K DEPTH	C HEX
C2406-06-04	3/8	0.375	1/4	7/16-20	0.250	0.203	1.61	0.234	0.500
C2406-08-04	1/2	0.500	1/4	7/16-20	0.375	0.203	1.73	0.234	0.562
C2406-08-06	1/2	0.500	3/8	9/16-18	0.375	0.281	1.77	0.250	0.625
C2406-10-08	5/8	0.625	1/2	3/4-16	0.500	0.422	1.96	0.305	0.812
C2406-12-06	3/4	0.750	3/8	9/16-18	0.625	0.281	1.93	0.250	0.812
C2406-12-08	3/4	0.750	1/2	3/4-16	0.625	0.422	2.03	0.305	0.812
C2406-16-08	1	1.000	1/2	3/4-16	0.844	0.422	2.05	0.305	1.062
C2406-16-12	1	1.000	3/4	1-1/16-12	0.844	0.656	2.24	0.350	1.125
C2406-20-16	1-1/4	1.250	1	1-5/16-12	1.031	0.875	2.28	0.415	1.375