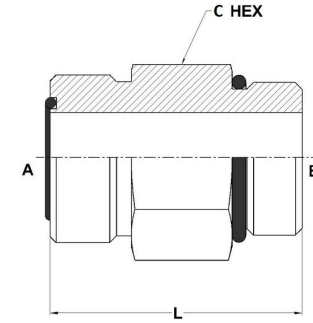




HYDROMATIK
connections par excellence

O-Ring Face Seal Fittings

MFS-MMORB ISO6149-2 Straight FS7640-O Series |



PART NO.SIZE	TUBE O.D.	A THREAD	B THREAD	A DRILL	B DRILL	L LGTH	C HEX
FS7640-04-10-O	6	9/16-18	M10 X 1	4.5	3.0	27.0	17.0
FS7640-04-12-O	6	9/16-18	M12 X 1.5	4.5	4.0	28.5	17.0
FS7640-04-14-O	6	9/16-18	M14 X 1.5	4.5	6.0	29.5	19.0
FS7640-06-12-O	10	11/16-16	M12 X 1.5	6.5	4.0	32.0	19.0
FS7640-06-14-O	10	11/16-16	M14 X 1.5	6.5	6.0	32.0	19.0
FS7640-06-16-O	10	11/16-16	M16 X 1.5	6.5	7.0	33.5	22.0
FS7640-06-18-O	10	11/16-16	M18 X 1.5	6.5	9.0	36.0	24.0
FS7640-06-22-O	10	11/16-16	M22 X 1.5	6.5	12.0	37.5	27.0
FS7640-08-14-O	12	13/16-16	M14 X 1.5	9.5	6.0	35.0	22.0
FS7640-08-16-O	12	13/16-16	M16 X 1.5	9.5	7.0	36.5	22.0
FS7640-08-18-O	12	13/16-16	M18 X 1.5	9.5	9.0	38.0	24.0
FS7640-08-22-O	12	13/16-16	M22 X 1.5	9.5	12.0	39.5	27.0
FS7640-08-26-O	12	13/16-16	M26 X 1.5	9.5	12.0	42.3	32.0
FS7640-08-27-O	12	13/16-16	M27 X 2.0	9.5	15.0	44.5	32.0
FS7640-08-33-O	12	13/16-16	M33 X 2.0	9.5	20.0	47.5	41.0

FS7640-10-18-O	16	1-14	M18 X 1.5	12.5	9.0	41.0	27.0
FS7640-10-22-O	16	1-14	M22 X 1.5	12.5	12.0	42.0	27.0
FS7640-10-27-O	16	1-14	M27 X 2.0	12.5	15.0	47.0	32.0
FS7640-10-33-O	16	1-14	M33 X 2.0	12.5	20.0	50.0	41.0
FS7640-12-22-O	20	1-3/16-12	M22 X 1.5	15.5	12.0	45.0	32.0
FS7640-12-27-O	20	1-3/16-12	M27 X 2.0	15.5	15.0	48.5	32.0
FS7640-12-33-O	20	1-3/16-12	M33 X 2.0	15.5	20.0	51.5	41.0
FS7640-16-33-O	25	1-7/16-12	M33 X 2.0	20.5	20.0	52.0	41.0
FS7640-20-38-O	30	1-11/16-12	M38 X 2.0	26.0	22.0	54.5	50.0
FS7640-20-42-O	30	1-11/16-12	M42 X 2.0	26.0	26.0	54.5	50.0