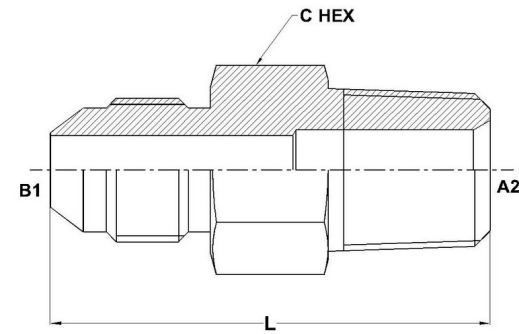
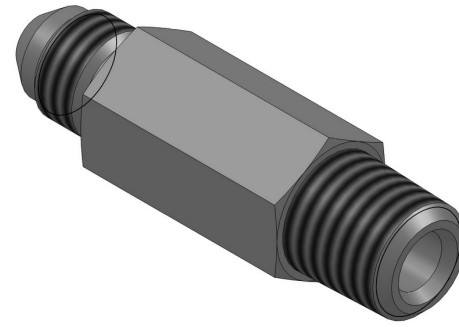




**HYDROMATIK**  
connections par excellence

## Tube Fittings & Adapters

**MJ-MP Straight Long 2404-L Series** |



PART NO. SIZE	TUBE O.D.	B1 SAE 37	A2 NPTF	B1 DRILL	A2 DRILL	L LGTH	C HEX
2404-L-04-02	1/4	7/16-20	1/8-27	0.172	0.188	1.81	0.500
2404-L-04-04	1/4	7/16-20	1/4-18	0.172	0.281	2.25	0.625
2404-L-05-02	5/16	1/2-20	1/8-27	0.234	0.188	1.94	0.562
2404-L-05-04	5/16	1/2-20	1/4-18	0.234	0.281	2.25	0.625
2404-L-06-02	3/8	9/16-18	1/8-27	0.297	0.188	2.20	0.625
2404-L-06-04	3/8	9/16-18	1/4-18	0.297	0.281	2.25	0.625
2404-L-06-06	3/8	9/16-18	3/8-18	0.297	0.406	2.50	0.812
2404-L-06-08	3/8	9/16-18	1/2-14	0.297	0.531	2.95	0.875
2404-L-08-04	1/2	3/4-16	1/4-18	0.391	0.281	2.75	0.812

2404-L-08-06	1/2	3/4-16	3/8-18	0.391	0.406	2.75	0.812
2404-L-08-08	1/2	3/4-16	1/2-14	0.391	0.531	3.04	0.875
2404-L-10-06	5/8	7/8-14	3/8-18	0.484	0.406	2.94	0.937
2404-L-10-08	5/8	7/8-14	1/2-14	0.484	0.531	3.13	0.937
2404-L-12-12	3/4	1-1/16-12	3/4-14	0.609	0.719	3.50	1.125
2404-L-16-12	1	1-5/16-12	3/4-14	0.844	0.719	3.81	1.375
2404-L-16-16	1	1-5/16-12	1-11 1/2	0.844	0.938	4.00	1.375
2404-L-20-20	1-1/4	1-5/8-12	1-1/4-11 1/2	1.078	1.250	4.50	1.688
2404-L-24-24	1-1/2	1-7/8-12	1-1/2-11 1/2	1.312	1.500	4.88	2.000
2404-L-32-32	2	2-1/2-12	2-11 1/2	1.781	1.938	5.62	2.625