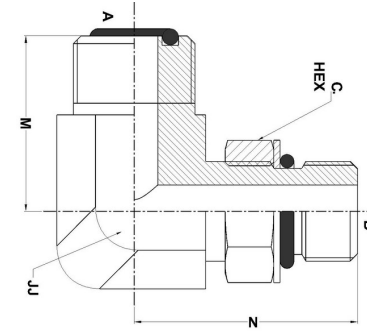
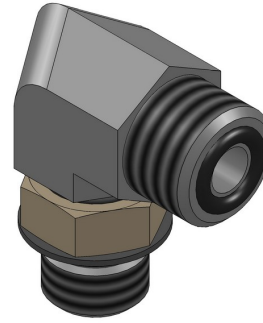




HYDROMATIK
connections par excellence

O-Ring Face Seal Fittings

MFS-MBSPP 90° Elbow FS7202-NWO Series |



PART NO.SIZE	TUBE O.D.	A THREAD	B THREAD	A DRILL	B DRILL	M LGTH	N LGTH	C4 HEX	JJ HEX
FS7202-04-02-NWO-FG	1/4	9/16-18	1/8-28	4.4	4.4	21.5	30.0	14	14
FS7202-04-04-NWO-FG	1/4	9/16-18	1/4-19	4.4	7.5	23.5	36.0	19	19
FS7202-04-06-NWO-FG	1/4	9/16-18	3/8-19	4.4	9.9	24.7	38.0	22	19
FS7202-06-04-NWO-FG	3/8	11/16-16	1/4-19	6.7	7.5	25.0	36.0	19	19
FS7202-06-06-NWO-FG	3/8	11/16-16	3/8-19	6.7	9.9	26.5	38.0	22	19
FS7202-08-04-NWO-FG	1/2	13/16-16	1/4-19	9.6	7.5	28.0	36.0	19	19
FS7202-08-06-NWO-FG	1/2	13/16-16	3/8-19	9.6	9.9	28.0	38.0	22	19
FS7202-08-08-NWO-FG	1/2	13/16-16	1/2-14	9.6	12.3	30.8	48.5	27	27
FS7202-08-12-NWO-FG	1/2	13/16-16	3/4-14	9.6	15.5	33.5	51.5	36	30
FS7202-10-06-NWO-FG	5/8	1-14	3/8-19	12.3	9.9	33.3	41.9	22	24
FS7202-10-08-NWO-FG	5/8	1-14	1/2-14	12.3	12.3	33.3	48.5	27	27
FS7202-10-12-NWO-FG	5/8	1-14	3/4-14	12.3	15.5	35.8	51.5	36	30
FS7202-10-16-NWO-FG	5/8	1-14	1-11	12.3	21.5	39.7	58.5	41	36
FS7202-12-08-NWO-FG	3/4	1-3/16-12	1/2-14	15.5	12.3	37.3	48.5	27	27
FS7202-12-12-NWO-FG	3/4	1-3/16-12	3/4-14	15.5	15.5	37.3	51.5	36	30

FS7202-12-16-NWO-FG	3/4	1-3/16-12	1-11	15.5	21.5	41.2	58.5	41	36
FS7202-16-12-NWO-FG	1	1-7/16-12	3/4-14	20.6	15.5	41.7	55.2	36	36
FS7202-16-16-NWO-FG	1	1-7/16-12	1-11	20.6	21.5	41.7	58.5	41	36
FS7202-16-20-NWO-FG	1	1-7/16-12	1-1/4-11	20.6	27.5	44.7	62.2	50	41
FS7202-20-16-NWO-FG	1-1/4	1-11/16-12	1-11	26.0	21.5	44.7	58.5	41	41
FS7202-20-20-NWO-FG	1-1/4	1-11/16-12	1-1/4-11	26.0	27.5	44.7	62.2	50	41
FS7202-20-24-NWO-FG	1-1/4	1-11/16-12	1-1/2-11	26.0	33	48.8	65.8	55	50
FS7202-24-24-NWO-FG	1-1/2	2-12	1-1/2-11	32.0	33	48.8	65.8	55	50