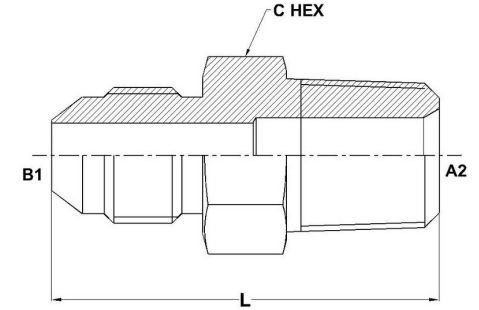
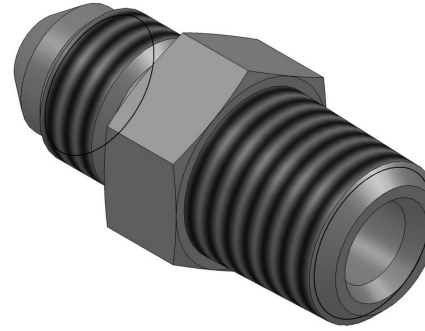




**HYDROMATIK**  
connections par excellence

## Tube Fittings & Adapters

**MJ-MP Straight** 2404 Series | SAE# 070102 / MS# 51500



PART NO. SIZE	TUBE O.D.	B1 SAE 37	A2 NPTF	B1 DRILL	A2 DRILL	L LGTH	C HEX
2404-02-02	1/8	5/16-24	1/8-27	0.062	0.188	1.11	0.438
2404-02-04	1/8	5/16-24	1/4-18	0.062	0.281	1.32	0.625
2404-03-02	3/16	3/8-24	1/8-27	0.125	0.188	1.14	0.438
2404-03-04	3/16	3/8-24	1/4-18	0.125	0.281	1.35	0.625
2404-04-01	1/4	7/16-20	1/16-27	0.172	0.117	1.22	0.500
2404-04-02	1/4	7/16-20	1/8-27	0.172	0.188	1.22	0.500
2404-04-04	1/4	7/16-20	1/4-18	0.172	0.281	1.42	0.625
2404-04-06	1/4	7/16-20	3/8-18	0.172	0.406	1.42	0.812
2404-04-08	1/4	7/16-20	1/2-14	0.172	0.531	1.68	0.875
2404-04-12	1/4	7/16-20	3/4-14	0.172	0.719	1.75	1.125
2404-05-02	5/16	1/2-20	1/8-27	0.234	0.188	1.22	0.562
2404-05-04	5/16	1/2-20	1/4-18	0.234	0.281	1.42	0.625
2404-05-06	5/16	1/2-20	3/8-18	0.234	0.406	1.42	0.812
2404-05-08	5/16	1/2-20	1/2-14	0.234	0.531	1.68	0.875

2404-06-02	3/8	9/16-18	1/8-27	0.297	0.188	1.24	0.625
2404-06-04	3/8	9/16-18	1/4-18	0.297	0.281	1.43	0.625
2404-06-06	3/8	9/16-18	3/8-18	0.297	0.406	1.43	0.812
2404-06-08	3/8	9/16-18	1/2-14	0.297	0.531	1.69	0.875
2404-06-12	3/8	9/16-18	3/4-14	0.297	0.719	1.75	1.125
2404-06-16	3/8	9/16-18	1-11-1/2	0.297	0.938	1.94	1.375
2404-08-02	1/2	3/4-16	1/8-27	0.391	0.188	1.34	0.812
2404-08-04	1/2	3/4-16	1/4-18	0.391	0.281	1.53	0.812
2404-08-06	1/2	3/4-16	3/8-18	0.391	0.406	1.53	0.812
2404-08-08	1/2	3/4-16	1/2-14	0.391	0.531	1.79	0.937
2404-08-12	1/2	3/4-16	3/4-14	0.391	0.719	1.85	1.125
2404-08-16	1/2	3/4-16	1-11-1/2	0.391	0.938	2.05	1.375
2404-10-04	5/8	7/8-14	1/4-18	0.484	0.281	1.70	0.937
2404-10-06	5/8	7/8-14	3/8-18	0.484	0.406	1.70	0.937
2404-10-08	5/8	7/8-14	1/2-14	0.484	0.531	1.89	0.937
2404-10-12	5/8	7/8-14	3/4-14	0.484	0.719	1.95	1.125
2404-10-16	5/8	7/8-14	1-11-1/2	0.484	0.938	2.15	1.375
2404-10-20	5/8	7/8-14	1-1/4-11-1/2	0.484	1.250	2.25	1.688
2404-12-04	3/4	1-1/16-12	1/4-18	0.609	0.281	1.87	1.125
2404-12-06	3/4	1-1/16-12	3/8-18	0.609	0.406	1.87	1.125
2404-12-08	3/4	1-1/16-12	1/2-14	0.609	0.531	2.06	1.125
2404-12-12	3/4	1-1/16-12	3/4-14	0.609	0.719	2.06	1.125
2404-12-16	3/4	1-1/16-12	1-11-1/2	0.609	0.938	2.25	1.375

2404-12-20	3/4	1-1/16-12	1-1/4-11-1/2	0.609	1.250	2.36	1.688
2404-12-24	3/4	1-1/16-12	1-1/2-11-1/2	0.609	1.500	2.46	2.000
2404-14-08	7/8	1-3/16-12	1/2-14	0.719	0.531	2.09	1.250
2404-14-12	7/8	1-3/16-12	3/4-14	0.719	0.719	2.09	1.250
2404-14-16	7/8	1-3/16-12	1-11-1/2	0.719	0.938	2.28	1.375
2404-16-06	1	1-5/16-12	3/8-18	0.844	0.406	1.92	1.375
2404-16-08	1	1-5/16-12	1/2-14	0.844	0.531	2.11	1.375
2404-16-12	1	1-5/16-12	3/4-14	0.844	0.719	2.11	1.375
2404-16-16	1	1-5/16-12	1-11-1/2	0.844	0.938	2.30	1.375
2404-16-20	1	1-5/16-12	1-1/4-11-1/2	0.844	1.250	2.40	1.688
2404-16-24	1	1-5/16-12	1-1/2-11-1/2	0.844	1.500	2.51	2.000
2404-16-32	1	1-5/16-12	2-11-1/2	0.844	1.938	2.69	2.625
2404-20-12	1-1/4	1-5/8-12	3/4-14	1.078	0.719	2.23	1.688
2404-20-16	1-1/4	1-5/8-12	1-11-1/2	1.078	0.938	2.42	1.688
2404-20-20	1-1/4	1-5/8-12	1-1/4-11-1/2	1.078	1.250	2.45	1.688
2404-20-24	1-1/4	1-5/8-12	1-1/2-11-1/2	1.078	1.500	2.55	2.000
2404-20-32	1-1/4	1-5/8-12	2-11-1/2	1.078	1.938	2.73	2.625
2404-20-40	1-1/4	1-5/8-12	2-1/2-8	1.078	2.318	3.20	3.250
2404-24-16	1-1/2	1-7/8-12	1-11-1/2	1.312	0.938	2.62	2.000
2404-24-20	1-1/2	1-7/8-12	1-1/4-11-1/2	1.312	1.250	2.65	2.000
2404-24-24	1-1/2	1-7/8-12	1-1/2-11-1/2	1.312	1.500	2.68	2.000
2404-24-32	1-1/2	1 7/8-12	2-11 1/2	1.312	1.938	2.86	2.625
2404-32-16	2	2-1/2-12	1-11 1/2	1.781	0.938	3.02	2.625

2404-32-20	2	2-1/2-12	1 1/4-11 1/2	1.781	1.250	3.05	2.625
2404-32-24	2	2-1/2-12	1 1/2-11 1/2	1.781	1.500	3.08	2.625
2404-32-32	2	2-1/2-12	2-11 1/2	1.781	1.938	3.11	2.625
2404-32-40	2	2-1/2-12	2-1/2-8	1.781	2.318	3.48	3.250
2404-32-48	2	2-1/2-12	3-8	1.781	2.818	3.74	3.750
2404-40-32	2-1/2	3-12	2-11-1/2	2.318	1.938	2.90	3.250
2404-40-40	2-1/2	3-12	2-1/2-8	2.318	2.318	3.37	3.250
2404-48-48	3	3-1/2-12	3-8	2.818	2.818	3.50	3.750