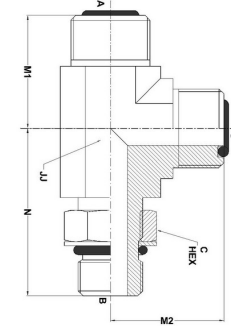
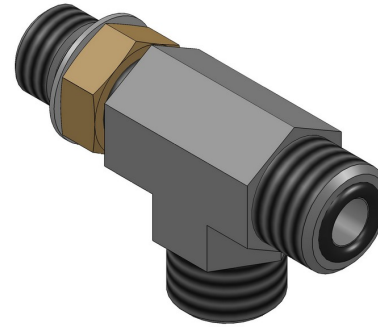




HYDROMATIK
connections par excellence

O-Ring Face Seal Fittings

MFS-MAORB-MFS Tee FS6804 Series | SAE# 520428



PART NO.SIZE	TUBE O.D.	A1 THREAD	B THREAD	A2 THREAD	A1 DRILL	B DRILL	A2 DRILL	M1 LGTH	N LGTH	M2 LGTH	C HEX	JJ FLATS
FS6804-04-04-04-NWO-FG	1/4	9/16-18	7/16-20	9/16-18	0.172	0.172	0.172	0.85	1.29	0.85	0.625	0.562
FS6804-04-06-04-NWO-FG	1/4	9/16-18	9/16-18	9/16-18	0.172	0.264	0.172	0.92	1.45	0.92	0.750	0.750
FS6804-06-04-06-NWO-FG	3/8	11/16-16	7/16-20	11/16-16	0.264	0.172	0.264	0.98	1.37	0.98	0.625	0.750
FS6804-06-06-06-NWO-FG	3/8	11/16-16	9/16-18	11/16-16	0.264	0.264	0.264	0.98	1.45	0.98	0.750	0.750
FS6804-06-08-06-NWO-FG	3/8	11/16-16	3/4-16	11/16-16	0.264	0.378	0.264	1.04	1.60	1.04	0.938	0.750
FS6804-08-06-08-NWO-FG	1/2	13/16-16	9/16-18	13/16-16	0.378	0.295	0.378	1.10	1.45	1.10	0.750	0.750
FS6804-08-08-04-NWO-FG	1/2	13/16-16	3/4-16	9/16-18	0.378	0.378	0.172	1.10	1.60	0.97	0.938	0.750
FS6804-08-08-08-NWO-FG	1/2	13/16-16	3/4-16	13/16-16	0.378	0.378	0.378	1.10	1.60	1.10	0.938	0.750
FS6804-08-10-08-NWO-FG	1/2	13/16-16	7/8-14	13/16-16	0.378	0.484	0.378	1.21	1.97	1.21	1.062	1.062
FS6804-08-12-04-NWO-FG	1/2	13/16-16	1-1/16-12	9/16-18	0.378	0.609	0.172	1.32	2.17	1.19	1.375	1.188
FS6804-08-12-08-NWO-FG	1/2	13/16-16	1-1/16-12	13/16-16	0.378	0.609	0.378	1.32	2.17	1.32	1.375	1.188
FS6804-10-10-06-NWO-FG	5/8	1-14	7/8-14	11/16-16	0.484	0.484	0.264	1.31	1.97	1.15	1.062	1.062
FS6804-10-10-10-NWO-FG	5/8	1-14	7/8-14	1-14	0.484	0.484	0.484	1.31	1.97	1.31	1.062	1.062
FS6804-10-12-10-NWO-FG	5/8	1-14	1-1/16-12	1-14	0.484	0.609	0.484	1.41	2.17	1.41	1.375	1.188
FS6804-12-08-08-NWO-FG	3/4	1-3/16-12	3/4-16	13/16-16	0.609	0.378	0.378	1.47	1.84	1.32	0.938	1.188

FS6804-12-12-08-NWO-FG	3/4	1-3/16-12	1-1/16-12	13/16-16	0.609	0.609	0.378	1.47	2.17	1.32	1.375	1.188
FS6804-12-12-12-NWO-FG	3/4	1-3/16-12	1-1/16-12	1-3/16-12	0.609	0.609	0.609	1.47	2.17	1.47	1.375	1.188
FS6804-12-12-16-NWO-FG	3/4	1-3/16-12	1-1/16-12	1-7/16-12	0.609	0.609	0.811	1.62	2.32	1.64	1.375	1.438
FS6804-16-12-12-NWO-FG	1	1-7/16-12	1-1/16-12	1-3/16-12	0.811	0.609	0.609	1.64	2.32	1.62	1.375	1.438
FS6804-16-16-16-NWO-FG	1	1-7/16-12	1-5/16-12	1-7/16-12	0.811	0.811	0.811	1.64	2.35	1.64	1.625	1.438
FS6804-16-24-16-NWO-FG	1	1-7/16-12	1-7/8-12	1-7/16-12	0.811	1.260	0.811	1.92	2.59	1.92	2.125	1.875
FS6804-20-20-20-NWO-FG	1-1/4	1-11/16-12	1-5/8-12	1-11/16-12	1.024	1.024	1.024	1.76	2.45	1.76	1.875	1.625
FS6804-24-24-24-NWO-FG	1-1/2	2-12	1-7/8-12	2-12	1.260	1.260	1.260	1.92	2.59	1.92	2.125	1.875